

JK Products & Services, Inc.

BEAUTY ANGEL 7200

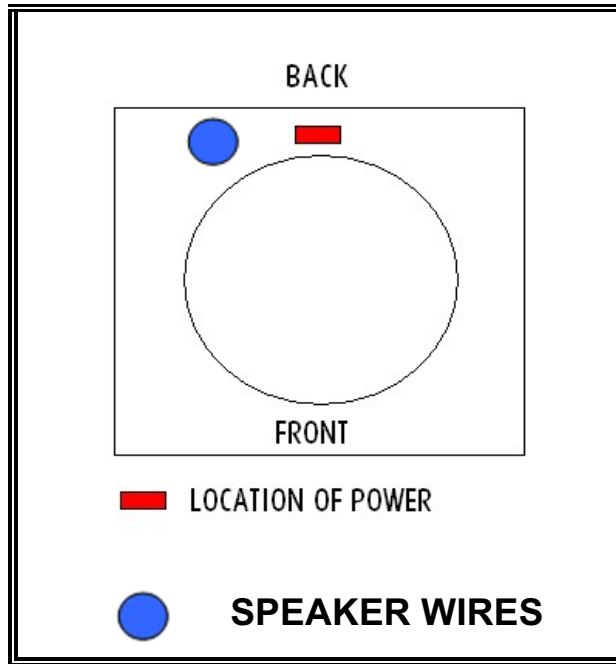


Power consumption rating	6,100 W
Rated frequency	60 Hz
Rated voltage	230 V
Rated breakers*	30 amp 3-pole or 40 amp 2-pole
Rated amp draw 3 Ø	16
Rated amp draw 1 Ø	28
Mains Power Connection*	The unit is configured from the factory for connection to 3-Phase power. A 3/4" liquid-tight connector is provided See note for wiring
Noise level 1m away from device	<71.6 dB
Noise level inside the device	70 dB
Load on the acrylic panel	N/A
Weight	approx. 1,202 lb
Ambient operating temperature	59-89.6 °F
Unit footprint**	84 41/64" X 83 21/32"
Minimum Room Size	7' X 7'
Number of body lamps	32 @ 180W Beauty Light 2M

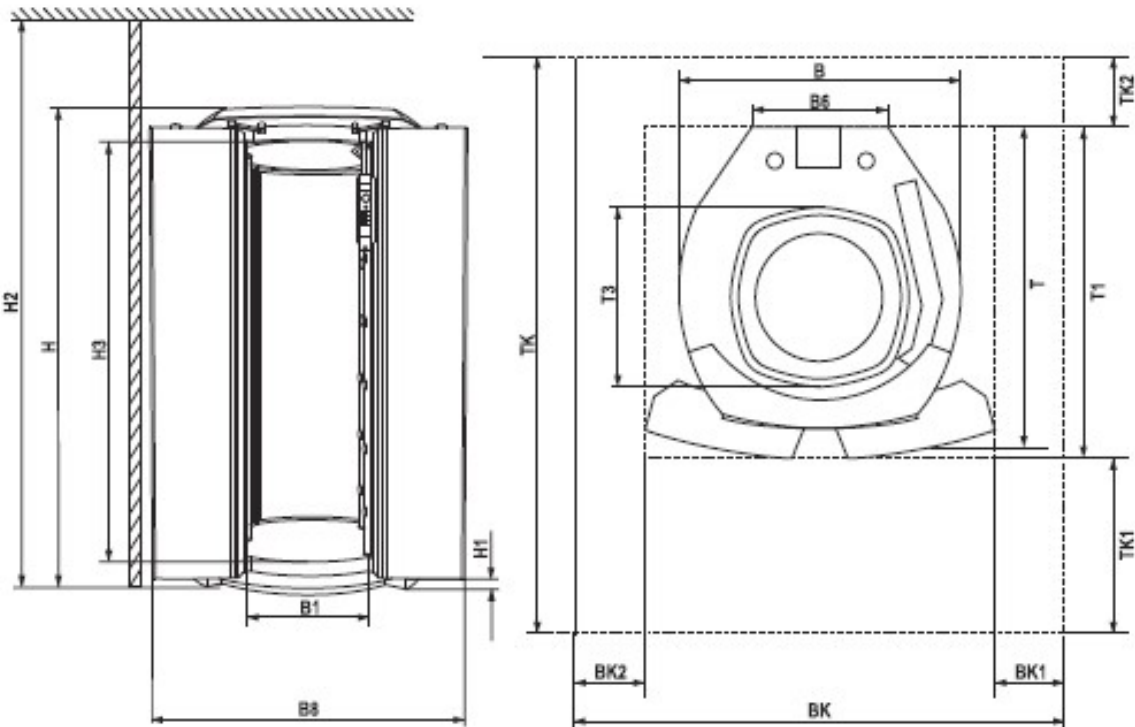
*Owner is responsible for all wiring up to the terminal block connection inside the device. As well as ensuring the wire is properly sized for the amp draw and breaker selection per the electrical code in their area.

**Minimum footprint size for proper operation and cooling of the unit. Does not account for door sizes or obstructions in the room. (Footprint measurement is not the room size)

JK Products & Services, Inc.



ACTUAL DIMENSIONS



JK Products & Services, Inc.

BK =	83 21/32 in	2,125 mm
BK1 =	17 21/64 in	440 mm
BK2 =	17 21/64 in	440 mm
TK =	84 41/64 in	2,150mm
TK1 =	25 25/64 in	645 mm
TK2 =	< = 13/64 in	< = 5 mm
B =	48 7/8 in	1,242 mm
B6 =	23 15/64 in	590 mm
B1 =	24 3/16 in	567 mm
B8 =	56 17/32 in	1,436 mm
T =	58 7/64 in	1,476 mm
T1 =	59 1/4 in	1,505 mm
T3 =	30 5/16 in	770 mm
H =	90 7/8 in	2,308 mm
H1 =	3/8 in	10 mm
H2 =	94 1/2 in	2,400 mm
H3 =	80 45/64 in	2,050 mm
