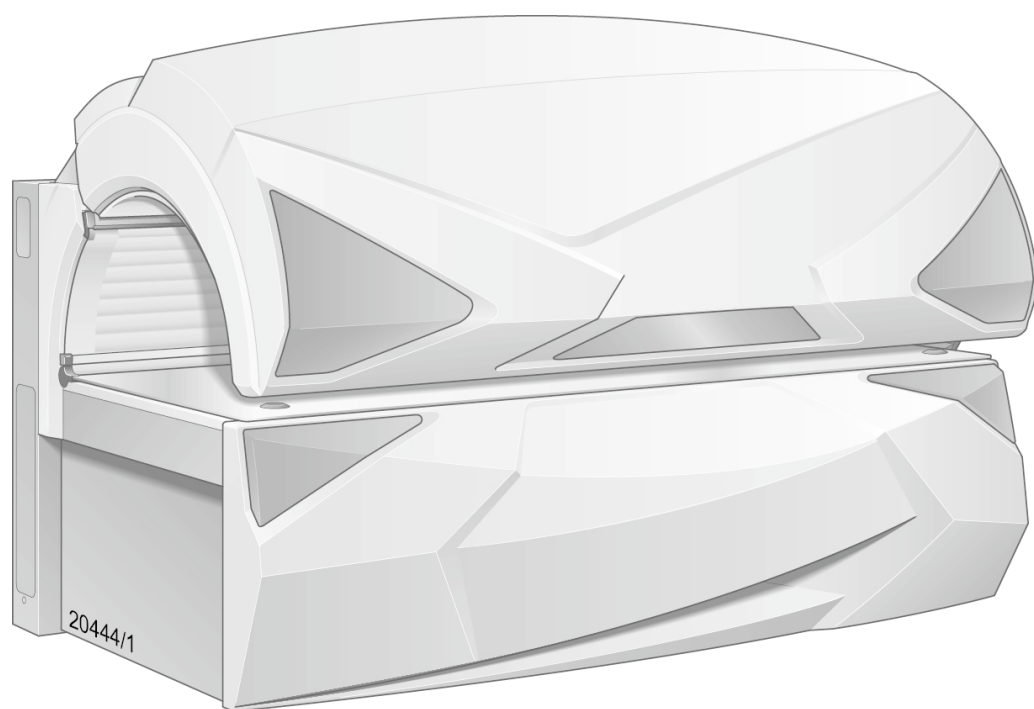


USA

EXPOSURE
12 min
TIME



Operating instructions

Model-No.: JK 164 / 42-3 TLT AC
JK 164 / 42-3 TLT

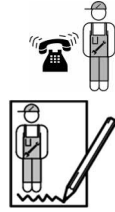
1028528-00D / us-en / 12.2023



Contact information



Customer Service JK Products & Services
 411 West Washington Avenue
 Suite B
 Jonesboro, Arkansas 72401
 800-445-0624
 870-935-9046
<http://jkproducts.us/service>



Manufacturer JK-Products GmbH
 Rottbitzer Str. 69
 53604 Bad Honnef
 GERMANY
 Tel.: +49 (0) 22 24 / 818-140
 Fax: +49 (0) 22 24 / 818-166



WARNING!



- Read these operating instructions.
 Failure to observe these instructions:
- may result in serious injury and death,
 - can result in damage to the device and the environment.
 - For the safety of yourself and others, read and observe all instructions contained herein before operating the device.
 - Please make the instructions and additional information available to anyone who operates or services the device.

Copyright

The copyright remains with JK-Holding GmbH.

The contents may not be duplicated (in whole or part), distributed or utilized for competition purposes without authorization or disclosed to other parties.

The right to make technical changes in regard to the figures and information contained in this instruction manual is reserved!

1 Table of Contents



2	What certain words and signs mean (Glossary).....	7
2.1	Definitions	7
2.2	Warning signs	8
2.3	Symbols on the device	10
3	What this device is.....	12
3.1	Guidelines.....	12
3.2	Export	12
3.3	Scope of delivery	12
3.3.1	Options	12
3.4	Device description	13
3.5	Options	14
3.6	Function description.....	15
3.7	Transport.....	16
3.8	Installation location.....	16
3.8.1	Ventilation	16
3.8.2	Setup location.....	17
3.8.3	Commissioning.....	19
3.9	Signs and stickers on the device	20
3.10	Technical data	28
3.10.1	Power rating, electrical specifications and noise level	28
3.10.2	Dimensions	30
3.10.3	Lamp configuration	31
3.10.4	Not applicable for this device	31
3.10.5	Spare parts.....	32
4	Why you use it	33
4.1	Intended use	33
4.2	Skin condition	33
5	Who cannot use it	34
5.1	Prohibited usage.....	34
5.1.1	Tanning system	34
5.1.2	Vibra Shape (vibration plate)	34
6	What you must do to avoid serious harm	35
6.1	General	35
6.2	Tanning system	36
6.3	Sensor	37



7	What you must do to avoid other harm.....	38
7.1	General	38
7.2	Tanning system	38
7.3	Sensor	38
7.4	Vibra Shape (vibration plate)	38
7.5	Foreseeable misuse	39
7.6	Obligations of the studio operator.....	39
7.7	Staff training	39
8	Risks of using this device	40
9	Benefits of using this device.....	41
10	How to decide to use this device.....	42
11	What to do before the treatment	43
12	How to use this device	44
12.1	How to set this device up.....	44
12.2	How to make sure the device works	44
12.3	How to use it to treat your condition	44
12.4	How to choose correct treatment regimen.....	45
12.4.1	Skin types	45
12.4.2	Tanning times	45
12.5	How to operate the device	46
12.5.1	Professional Setup Manager	46
12.5.2	User settings overview	47
12.6	Functions.....	48
12.6.1	Navigation	50
12.6.2	Description	52
12.7	Selection of the application	55
12.8	Operating display of the sensor.....	55
12.9	Sun Select setting with the outer interface	55
12.10	Measurement (automatic mode).....	55
12.11	Connections	55
12.12	How to use	55
12.12.1	How to start	56
12.12.2	Application tips	56
12.12.3	How to stop.....	56
12.13	What to do after the treatment	57
12.13.1	Cleaning and disinfection.....	57
12.14	Safety instructions for cleaning/disinfection and maintenance	58

12.15	How to clean/disinfect	61
12.15.1	Cleaning and disinfection of surfaces.....	62
12.15.2	Cleaning/disinfection plan	63
12.16	How to maintain.....	64
12.16.1	Technical modifications.....	64
12.16.2	Maintenance plan	64
12.16.3	Cleaning and maintenance work preparation.....	66
12.16.4	Instructions for replacing the lamps	71
12.16.5	Cleaning and disinfection of the sensor.....	72
12.16.6	Cleaning or replacing lamps in the base	73
12.16.7	Cleaning or replacing the lamps in the side section.....	73
12.16.8	Cleaning or replacing lamps in the canopy	74
12.16.9	Cleaning or replacing the lamps and filter panels in the shoulder tanner	75
12.16.10	Cleaning or replacing the interior lights	75
12.16.11	Cleaning or replacing the canopy accent lighting.....	75
12.16.12	Cleaning or replacing the front panel accent lighting.....	75
12.16.13	Cleaning the filters in the base	76
12.16.14	Cleaning the canopy filter	77
12.16.15	Cleaning the filter mats in shoulder tanner	77
12.16.16	Air conditioning (Option): Empty the condensation tank and clean the filter	78
12.16.17	AQUA / AROMA SYSTEM maintenance (Option).....	80
12.16.18	Cleaning the air intake openings	80
12.17	How to store the device	81
12.17.1	Decommissioning.....	81
12.17.2	Storage.....	81
12.17.3	Disposal.....	81
13	What to do when things go wrong	82
13.1	Troubleshooting.....	84
13.1.1	REMOTE SERVICE.....	84
14	Where you can find out more	85
15	How we studied this device.....	86
16	Appendix	87
16.1	Model-No.: JK 164 / 42-3 TLT AC / JK 164 / 42-3 TLT: EMC information.....	87
16.1.1	Table 201: Guidelines and manufacturer's declaration – Electromagnetic emissions	87
16.1.2	Table 202: Guidelines and manufacturer's declaration – Electromagnetic interference	88
16.1.3	Table 204: Guidelines and manufacturer's declaration – Electromagnetic interference	89
16.1.4	Table 206: Recommended safe distances between portable and mobile HF communications equipment and Model-No.: JK 164 / 42-3 TLT AC / JK 164 / 42-3 TLT.....	90





17	JK-Products, Inc. – Limited Warranty	91
17.1	Limited Acrylic Warranty	92
17.2	Warranty Claims	93
17.2.1	Policy & Procedures.....	93
17.2.2	Labor Warranty Claim/Credit Procedures	94
17.2.3	Quality inspection and acceptance form	94
17.3	Limited Lifetime Warranty.....	95
18	Index.....	96

2 What certain words and signs mean (Glossary)



2.1 Definitions

Contraindications

Issues where the risk is always greater than the benefit and there are data supporting the risk and benefit relationship.

Studio operator

People who provide tanning devices to users on a commercial basis. The studio operator is trained to operate and maintain the device and is responsible for the orderly operation of the device as well as compliance with the maintenance intervals.

User

A person who uses the tanning device at a commercial location.

Staff

People who are responsible for the operation, cleaning/disinfection as well as general maintenance work and who instruct the users in the operation of the devices.

JK Factory Certified Technician

Level 1

Authorized to perform general maintenance such as replacing lamps, aqua mist, and fragrance containers as well as overall cleaning of the unit.

Level 2

Authorized to perform maintenance and repairs such as replacement of ballast, framed acrylic, electronic circuit boards, and other electrical components.

Level 3

Authorized and trained to utilize JK Products proprietary diagnostic software to adjust operating parameters and perform detailed diagnostics.

Level 4

This individual is uniquely qualified to assess the condition of a unit and make a determination if the device meets the requirements for continued use ten (10) years from the date of manufacture.



NOTE:

Each technician level is authorized to perform the tasks of technician levels smaller in number to theirs. E.g. a level 3 technician is authorized to perform the tasks assigned to a level 1 and 2 technician.



2.2 Warning signs

Danger notices, nonobservance will lead to death or serious injury:

 **DANGER!**



Type and source of danger, e.g. 'DANGER – High voltage!'

Description of the consequences, e.g. 'You can be killed or injured by an electric shock!'

Countermeasures:

- Disconnect device from power supply before opening.
- Do not reach into the inside with the device switched on.

Warning notices, nonobservance can lead to death or serious injury.

 **WARNING!**



Type and source of danger, e.g. 'WARNING – hot surface!'

Description of the consequences, e.g. 'You can burn your hand (skin, face)!'

Countermeasures:

- Do not touch hot parts and nearby surfaces.
- Wait until hot parts and surfaces have cooled down.

Warning notices, ultraviolet radiation, nonobservance can lead to serious injury:

 **WARNING!**



Type and source of danger, e.g. 'WARNING – ultraviolet radiation!'

Description of the consequences, e.g. 'You can burn your skin!'

Countermeasures, e.g.:

- Avoid overexposure.

 **WARNING!**



Crushing hazard, e.g. when closing the bed base!

Fingers can be jammed.

- Do not hold fingers between bed base and front panel.

Caution notices, nonobservance can lead to less than serious injury or damage of property.



⚠ CAUTION!



Unauthorized lamps!

The word 'Caution' together with the warning sign points out that less than serious injury can be expected here.

Countermeasures:

- Avoid doing this.

NOTICE



ESD-sensitive components!

The word 'NOTICE' without warning sign points out that danger for devices, materials and the environment can be expected here.

Countermeasures:

- Avoid doing this.

Important information:











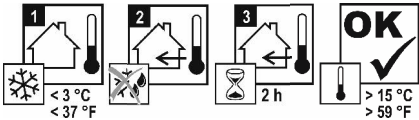


NOTE:

This symbol does not identify safety notices, but states information for a better understanding of the processes.



2.3 Symbols on the device

The following symbols are displayed on the device or on the packaging:

	Manufacturer, company address
	Type BF applied part ¹
	Production year, month and day
Qty:	Quantity
REF	Article Number/Reference Number
SN	Serial Number
+ UDI	Unique Device Identification
HIBC	Unique Device Identification
	Read the operating instructions!
	Not applicable for this device.
	Not applicable for this device.
	Not applicable for this device.
	Where there are great differences in temperature between the transport route and the installation site the device may not be put into operation immediately after being set up. Wait at least 2 hours before connecting the device to the power supply.
	Maximum transport weight
	Do not stack!
	

¹ Devices with physical contact between device and user belong to category BF (body float).



This side up.



Keep dry.



Temperature limitations.

The temperature limits are noted next to the upper and lower horizontal line.



Recyclable material.



Polystyrene



Cardboard



Mixed paper



Steel



Wood



Permitted air pressure during transport and storage.



3 What this device is



3.1 Guidelines

This product is in conformity with the performance standards for sun-lamp products under 21 CFR 1040.20, FDA and listed with ETL to UL STD 482.

3.2 Export

This device is exclusively intended for use in the USA and may not be exported to other countries and operated there! The manufacturer assumes no liability whatsoever in the event of non-compliance. High liability risks may occur for the exporter and/or the studio operator in the event of noncompliance.

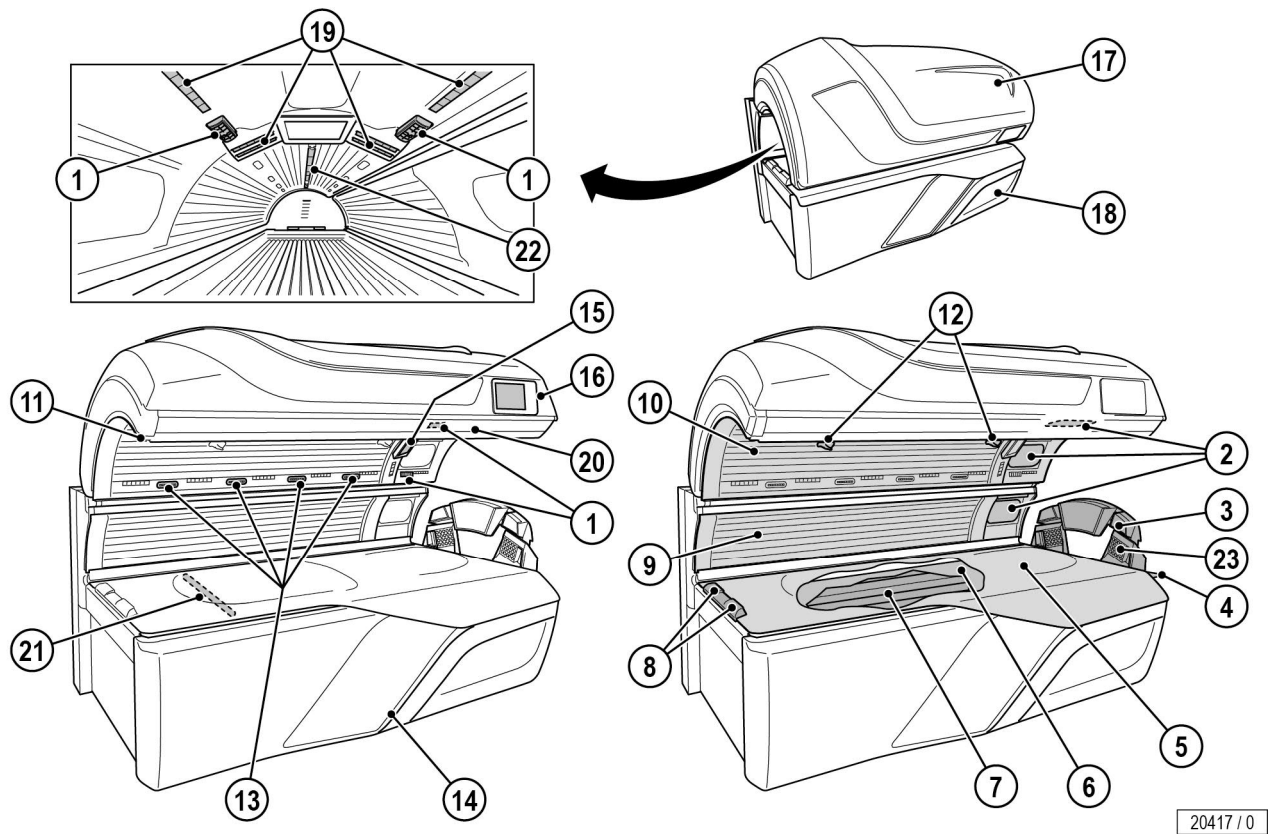
3.3 Scope of delivery

- Tanning device
- Lamps
- Protective goggles
- VOICE GUIDE
- Mastercard NFC
- REMOTE SERVICE
- Technical documentation (folder with instructions, brochures for error codes and additional documentation)

3.3.1 Options

- Central exhaust air socket
- Air conditioning system

3.4 Device description

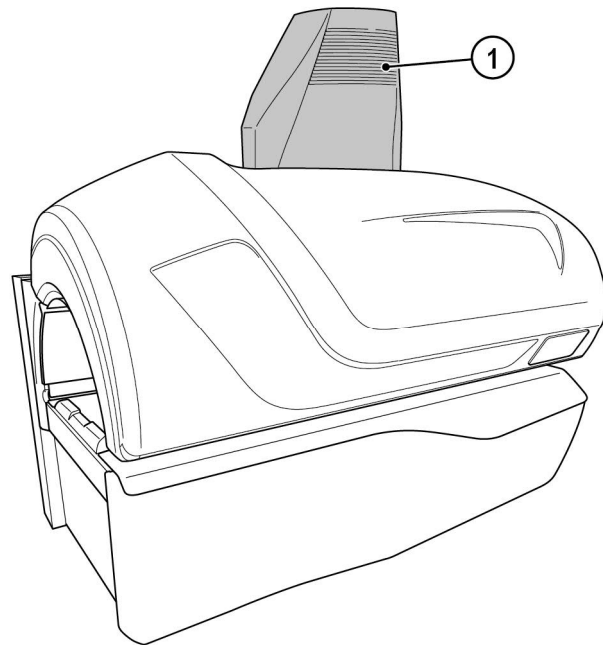


20417 / 0

1. Adjustable air nozzles – Facial cooling
2. Facial tanner (SPECTRA LED Boards + low pressure lamps)
3. Cinematic Sound with Voice Guide and Bluetooth®
4. Not applicable for this device.
5. Acrylic panel base
6. Partition
7. Low-pressure lamps, base
8. Not applicable for this device.
9. Low-pressure lamps, side section
10. Low-pressure lamps, canopy
11. Interior lighting (LED)
12. Not applicable for this device.
13. Body cooling air nozzles
14. Accent floor lighting, front panel (LED)
15. SMART CONTROL PANEL
16. NFC CONNECT
17. Accent lighting, canopy (LED)
18. Accent lighting, front panel (LED)
19. Total Light Technology LEDs (Red & Blue) Facial + Decollté
20. EMERGENCY OFF button
21. Service Light (only with opened bed base)
22. Total Light Technology LEDs (Red & Blue) Body
23. Not applicable for this device.



3.5 Options



20313 / 1

1. Central exhaust air socket

Exhaust air (Option)

As an optional comfort feature, your device can be equipped with an exhaust duct which allows the warm air from the device to be ducted outside of the room or building. Doing so can be an effective way in some climates to reduce the energy costs associated with Air conditioning while at the same time increasing not only user comfort, but the environmental comfort of the entire studio as well.

Things to consider before purchasing the exhaust option are:

1. Climate; extremely hot climates are typically not a good choice for exhausting air outside due to the need to cool down the hot air coming in to replace the air being exhausted, however mild to cooler climates can benefit from exhausting the warm air from the device thereby allowing cooler air to enter from outside the building.
2. Device location; in some installations, walls or other obstruction may prevent the use of an exhaust duct.



NOTE:

- Always consult a licensed heating, ventilation, and air conditioning (HVAC) Technician when considering the option to exhaust the warm air from your device. They can help you decide if an exhaust is best for your specific location.
- The exhaust is a comfort option and does not increase or decrease the safety and effectiveness of the device. The exhaust duct is not required to keep the device in a certain temperature range in order to operate safe and effectively.



3.6 Function description

Tanning system

The primary technical components of sunlamp products are artificial sources of UV radiation as well as a mechanical structure with a defined active surface.

UV lamps emit different UV-A and UV-B proportions of the UV radiation. The UV-A proportion primarily generates a superficial tan, which appears rapidly and is intensive but also fades more rapidly. The UV-B radiation is primarily responsible for more long-term tanning results. Using traditional UV light with the combination of red and blue light the user indulges in a new luxurious tanning experience. Optimal tanning results are achieved due to the synergistic combination of light spectra.

NFC CONNECT¹

Near field communication (NFC) is a communication standard between smartphones and similar devices that allows contactless data exchange. Communication is also possible between an NFC device and an unpowered NFC chip.

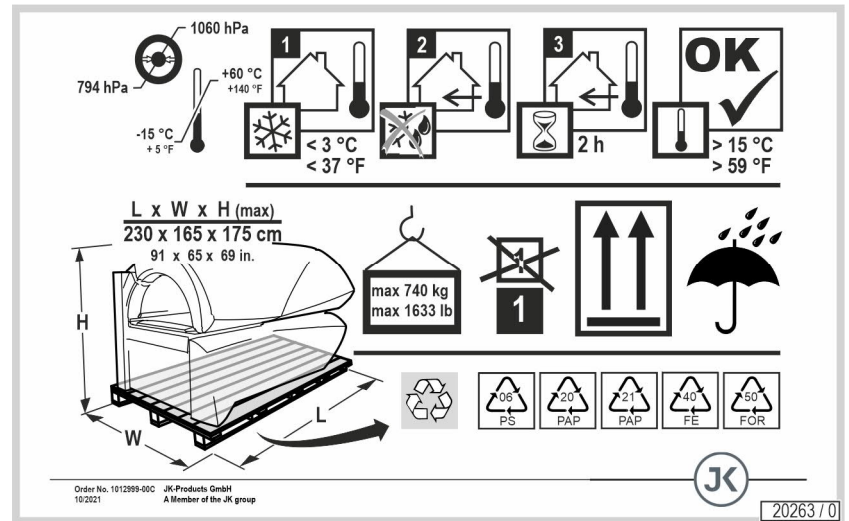
The NFC point of this tanning device for example may be used to store basic settings on a NFC card. These settings can be read for the next session and may be changed if necessary.

¹ Communication system: NFC (Near Field Communication); ISO/IEC 14443A/MIFARE; max. operating range: approx. 50 mm, frequency range: 13.56 MHz



3.7 Transport

Tanning system



3.8 Installation location

This sunlamp product is suitable for tanning salons, fitness studios or similar installation locations.

You may find detailed information on installation and setting up in the Installation Instructions (see folder Technical Documentation).

3.8.1 Ventilation

NOTICE

Danger of failure!

Danger of overheating by obstruction of the air routing.

- Observe the ventilation information to avoid serious system malfunctions.

You can obtain data regarding the air supply and ventilation from the customer service department (see page 2).

3.8.2 Setup location



⚠ WARNING!



WARNING!

Sudden movements and malfunctions!
Crushing hazard.

- The device is not suitable for operation in mobile facilities (ships, buses, trains).

⚠ CAUTION!



Danger of overheating by obstruction of the air routing!

Any liability is excluded in case of damage or injury proven to be the result of the use of non-genuine spare parts.

Use of non-compliant lamps voids warranty and risks injury!

- Do not change, obstruct or block the air inflow and outflow area to the device or make any unauthorized changes to the device. The manufacturer shall bear no liability for damage or injuries resulting from such actions.
- Observe the ventilation information to avoid serious system malfunctions.
- Before putting a device into operation, the transport pallet must be removed from under the device. Danger of overheating by obstruction of the air routing.
- Maintain the minimum distances from the walls! Dimensions are given on page 30.
- Only use OEM spare parts of the same type! The use of other parts will void the manufacturer's warranty!

NOTICE

Salty air! Contaminated air!

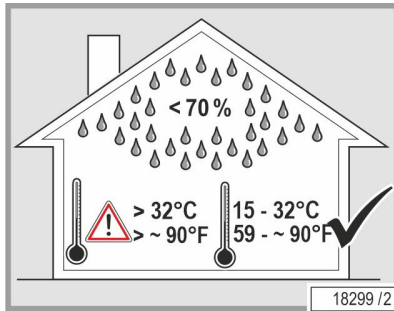
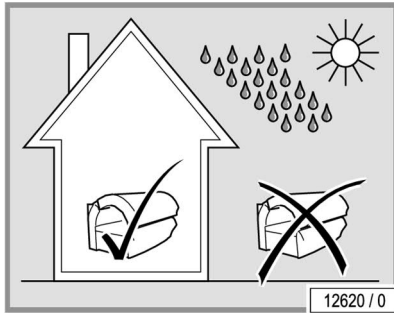
Device damage due to corrosion of the housing and electrical components.

- Do not install the device near swimming pools.
- Do not operate the device in locations with aggressive environmental conditions (e.g. air containing chlorine).

Damage to the device possible!

Where there are great differences in temperature between the transport route and the installation site the device may not be put into operation immediately after being set up.

- Wait at least 2 hours before connecting the device to the power supply.



NOTICE

Damage to the device possible!

The device is not to be used outdoors.

Environmental conditions

- Optimum ambient temperature: between 59 °F (15 °C) and ~ 90°F (~ 32°C)
- Storage temperature: between 5 °F (-15 °C) and 140 °F (+60 °C)
- Air pressure: between 794 hPa and 1060 hPa
- Relative humidity: between 30 % and 70 %

Please contact the customer service department before putting the device into operation - see page 2.

Strong Radio Frequency (RF) emitters!

Please do not install or operate the device in close proximity to strong Radio Frequency (RF) emitters such as metal detectors or electromagnetic anti-theft systems. Please inform the installation personal of any existing RF emitting systems prior to installation.



NOTE:

Sources of RF emissions are not always obvious, therefore special care should be taken to ensure all sources have been properly identified before installation of the device.

3.8.3 Commissioning

**DANGER!**

Damaged mains power cable!

Danger to persons through electric shock or burns.

- Only the manufacturer or specialist companies are permitted to replace the mains power cable.

Initial commissioning will be undertaken by the manufacturer's own service personnel or by a (Level 3) JK Factory Certified Technician. The device will be handed over ready for use.

As the studio operator you are responsible for abiding by the electrical regulations applicable at the installation site.

The unit incorporates special preventive measures with regard to the electromagnetic compatibility and must be installed and commissioned according to the EMC instructions obtained chapter 16 Appendix.

If the device has not been operated or serviced for a period of one year or longer, it must first be inspected by a (Level 3) JK Factory Certified Technician before being put back into operation. Failure to do so may result in personal injury or property damage.



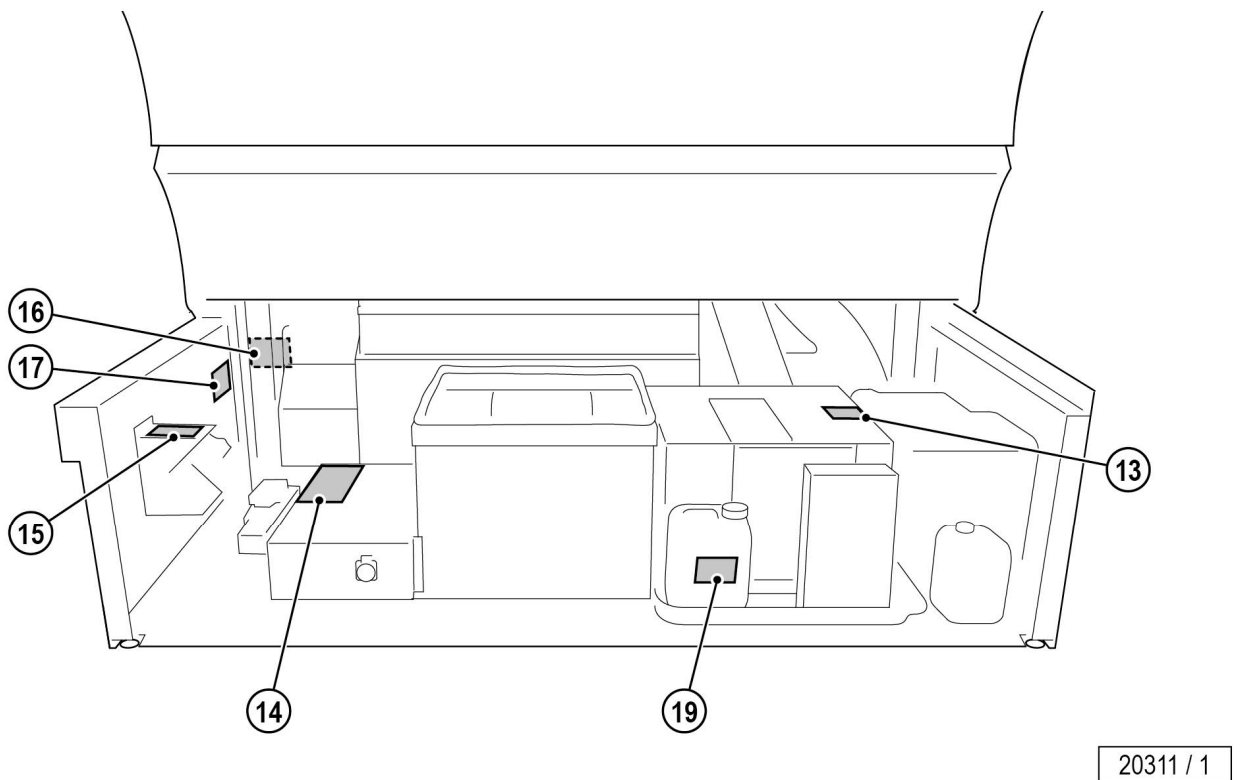
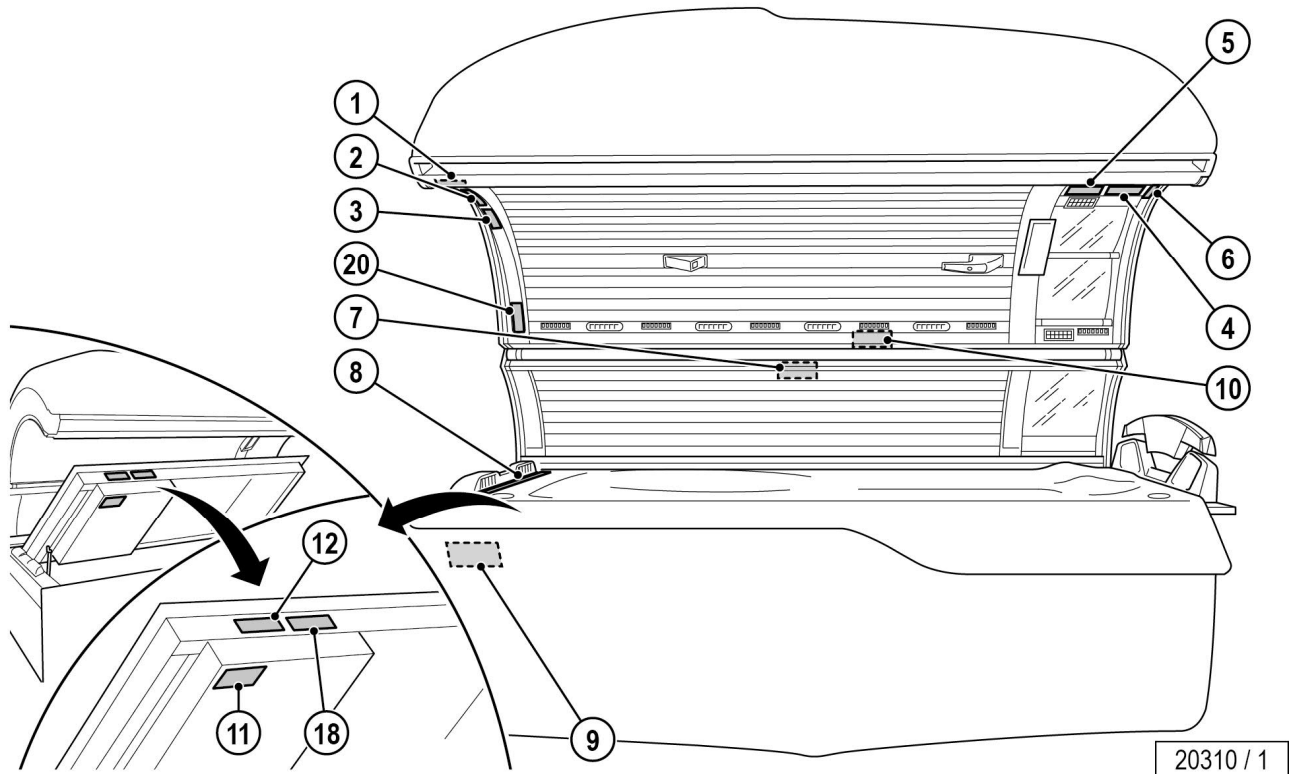
NOTE:

If a fire is suspected, immediately disconnect the power supply, as long as this is safely possible. Continue to observe all regulations required by law, public authorities and employer's liability insurance associations, which remain unaffected by the aforementioned directions.

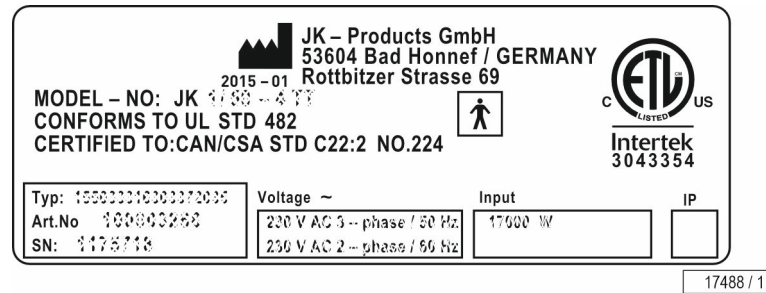


3.9 Signs and stickers on the device

Signs which warn of danger areas or give important information on components are attached to the device. Ensure that the instruction signs are always clearly recognizable and easily legible. Any missing instruction signs or stickers must be replaced.

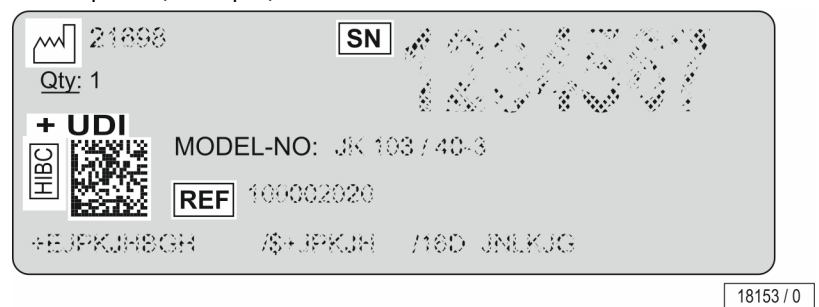


1: Name plate (example)



The name plate is attached to the interior side of the canopy. It contains important information for identifying the device (e. g. the serial number = Serial-No.) and the conformity mark.

2: UDI plate (example)



3: Sticker (1014367-..)



4: Sticker 'Follow Operating Instructions' (1014232-..)






5: Warning sticker UV radiation (801140-..)

WARNING - ULTRAVIOLET RADIATION - FOLLOW INSTRUCTIONS - FAILURE TO USE PROTECTIVE EYEWEAR MAY RESULT IN SEVERE BURNS OR OTHER EYE INJURY - IF DISCOMFORT DEVELOPS, DISCONTINUE USE AND CONSULTA PHYSICIAN.

- (I) As with natural sunlight, overexposure can cause eye injury and sunburn;
- (II) Repeated exposure may cause premature aging of the skin and skin cancer;
- (III) Medications or cosmetics applied to the skin, may increase sensitivity to ultraviolet light;
- (IV) A person who does not tan in the sun most likely will not tan from the use of this device;
- (V) A person having a history of skin problems should consult a physician before use;
- (VI) Overexposure should be avoided; and
- (VII) The elderly, or fair skinned people who always burn easily and either never tan or tan minimally should not use this equipment.
- (VIII) The appliance is not allowed to be used by more than one person at the same time.

ATTENTION - RAYONNEMENTS ULTRAVIOLETS - VEUILLEZ SUIVRE LES INSTRUCTIONS SUIVANTES - SANS DISPOSITIF DE PROTECTION DES YEUX, CE PRODUIT PEUT CAUSER DES BRULURES OU LESIONS OCULAIRES GRAVES - EN CAS DE PROBLEME ARRETER L'UTILISATION ET CONSULTER UN MEDECIN.

- (I) Comme avec les rayons solaires naturels, une exposition trop longue peut causer coup de soleil ou brûlure;
- (II) Une exposition répétée peut causer un vieillissement prématuré de la peau ou un cancer de la peau;
- (III) L'utilisation de certains médicaments ou produits appliqués sur la peau peut accroître la sensibilité aux ultra-violets;
- (IV) Les personnes ne bronçant pas au soleil ne le feront probablement pas sur cet appareil;
- (V) Toute personne ayant des problèmes de peau doit consulter un médecin avant toute utilisation;
- (VI) Eviter toute surexposition;
- (VII) Il est conseillé aux personnes âgées ou aux personnes à eau claire ne bronçant pas ou étant très sensibles au soleil de ne pas utiliser cet appareil;
- (VIII) L'appareil ne doit être utilisé que par une seule personne à la fois.



801140-01-
12076 / 2

6: Sticker EMERGENCY OFF (1512131-..)



19329 / 0

The sticker is mounted at the head end on the inside of the canopy.
This sticker also includes the language form 1018688-.. (see Technical Documentation folder).

7: Sticker (843319-..)

Not applicable for this device.

8: Exposure Label 1028527-..

<p>DANGER OF ULTRAVIOLET RADIATION.</p> <p>Follow all instructions. Avoid over-exposure as with natural sunlight. Over-exposure may cause eye and skin injuries, as well as allergic reactions. Repeated exposure may lead to premature aging of skin and skin cancer.</p> <p>MAXIMUM TANNING TIME: 12 MINUTES</p>	Recommended Exposure Schedule					
	Skin Type	Week 1 1st - 3rd Sessions	Week 2 4th - 6th Sessions	Week 3 7th - 10th Sessions	Week 4 11th - 15th Sessions	Weekly Subsequent Sessions
	I - Sensitive	NOT ADVISED	NOT ADVISED	NOT ADVISED	NOT ADVISED	NOT ADVISED
	II - Fair	2 Min.	5 Min.	8 Min.	10 Min.	12 Min.
	III - Average	2 Min.	5 Min.	8 Min.	10 Min.	12 Min.
	IV - Brown	2 Min.	7 Min.	10 Min.	12 Min.	12 Min.
V - Dark Brown	2 Min.	7 Min.	10 Min.	12 Min.	12 Min.	



WEAR PROTECTIVE EYEWEAR! FAILURE TO DO SO MAY RESULT IN SEVERE BURNS OR LONG TERM INJURY TO THE EYES.

Certain medications or cosmetics may increase your sensitivity to ultraviolet radiation. Consult a physician before using sunlamps if you are using medications, have a history of skin problems or believe yourself to be especially sensitive to sunlight. If you do not tan in the sun, you are unlikely to tan from the use of this product.

This unit utilizes UV lamps. Replace only with **GENESIS PLT PURE and HLT HYBRID LIGHT Technology 160W, GENESIS HLT HYBRID 8W (low-pressure / facial tanner)** or other recognized equivalent lamps that are compliance with FDA's policy on lamp compatibility. To obtain the recommended exposure distance, lie in the middle of the acrylic glass panel and lower the canopy to the closed position.
Warning: The use of any other position may result in overexposure!

Tanning can begin on a regular basis. A tan normally appears after several exposures and is maximized after four (4) weeks of exposure in accordance with the recommended exposure schedule for your skin type. In order to maintain your tan 12 minute sessions are recommended from the fifth week onward.

Use protective eyewear (Super Sunnies® or model 2255 or FLEXIVISION) whenever the unit is in operation. Read and follow the instruction booklet before using this product. To avoid electrical shock during maintenance, disconnect the unit from the power source. This product conforms with the performance standards for sunlamp products under 21 CFR 1040.20 , FDA.

Do not tan more than once in a 24-hour period.

Part No: **1028527-..**

20497 / 0

The sticker is mounted on the lamp cover foot end.

9: Age warning label (1508746-..)

ATTENTION; THIS SUNLAMP PRODUCT SHOULD NOT BE USED ON PERSONS UNDER THE AGE OF 18 YEARS.

17303 / 0

The sticker is mounted on the front panel.

10: 'Remove lattice' sticker (842971-..)

	Gitter entfernen!	
	Nur bei Montage des Abluftstutzens!	
	Remove lattice!	
	Only when assembling the silencer!	
	Enlever la grille!	
	Uniquement en cas de montage du support d'échappement!	

11978 / 0

The sticker is located at the rear on top of the air outlet.

11: AQUA MIST sticker (801211-..)

Not applicable for this device.



12: OEM parts sticker (801138-..)

ATTENTION!

Only use OEM certified replacement parts.
The use of other parts voids all
manufacturer's warranties and responsibilities.

801138-00-

13513 / 0

The sticker is mounted on the bottom of the bed base.

13: Air conditioning sticker (1002243-..)

ACHTUNG! Hier oben!

Falls Klimagerät gekippt, vor Inbetriebnahme 8 Stunden in Normalstellung stehen lassen, wegen Rücklauf der Kälteflüssigkeit

ATTENTION! This side up!

In case air condition unit was toppled over, let it 8 hours in home position before initiation, because of the return of the refrigerant.



GEFAHR

Bei geöffnetem Gerät nicht spannungsfrei!

DANGER

Voltage is not switched off, when sunbed is opened.



Regelmäßige Sichtprüfung!

Regular visual check!

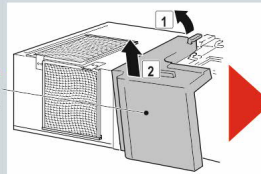
Contrôle visuel régulier!

Gefahr von Geräteschäden!

Risk of damage to equipment!

Risque de détérioration de l'appareil!

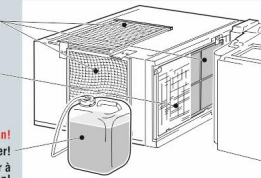
Abdeckung entfernen!
Remove cover!
Éliminer la couverture!



Filtermatten reinigen!
Renew filter mats!
Nettoyer les mats filtrants!

Kühlrippen reinigen!
Clean cooling fins!
Nettoyer les barres de refroidissement!

Kondensatbehälter entleeren!
Empty condensation container!
Vidanger le réservoir à condensation!

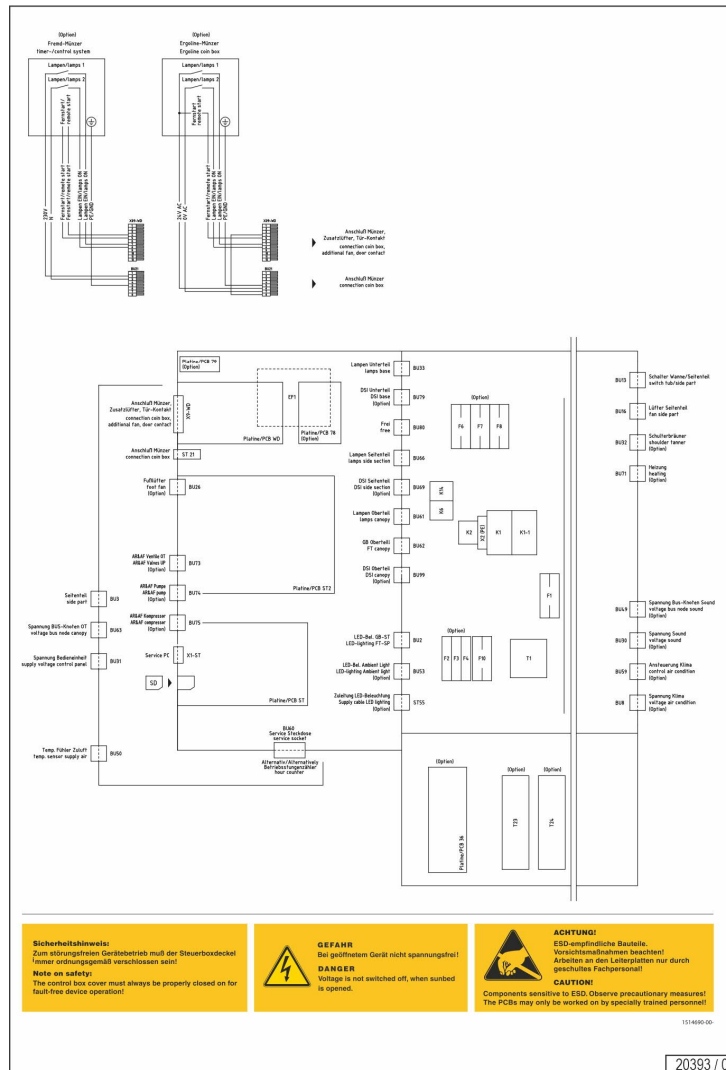


1002243-01-

13435 / 0

The sticker is mounted on the Air conditioning.

14: Ballast support warning sticker (1514690-..)



The sticker is mounted on the power unit support.

15: Sticker ESD/Aquamist (1000791-..)

Not applicable for this device.

16: Canada warning sticker (801371-..)

Only for Canada

Caution: Connect only to a circuit protected by a class A ground fault circuit interrupter.

Seulement pour le Canada

Attention: Brancher seulement à une dérivation protégée par un disjoncteur différentiel de classe A.

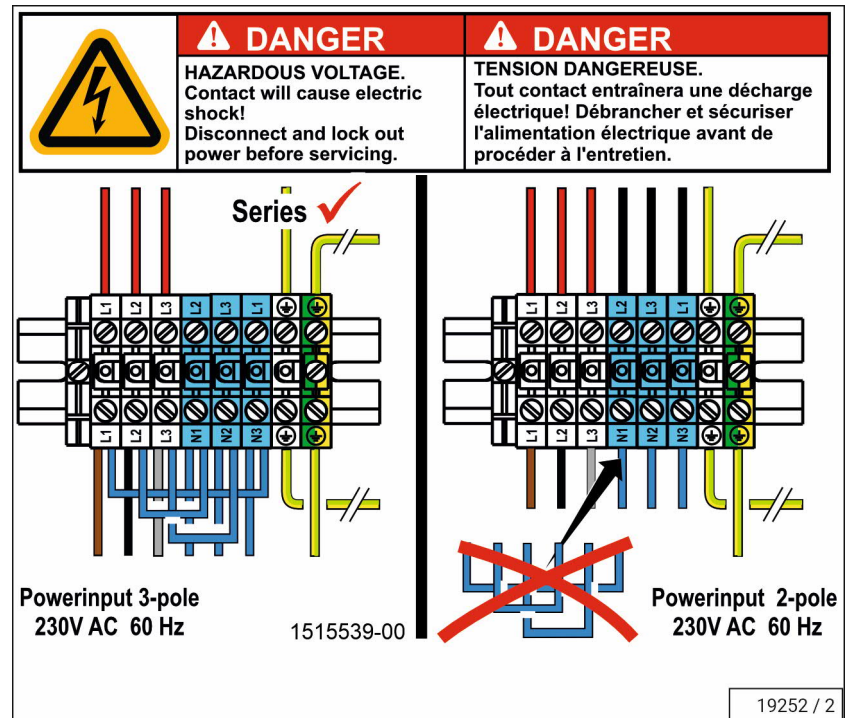
801371-01-

13514 / 0

The sticker is mounted on the rear panel.

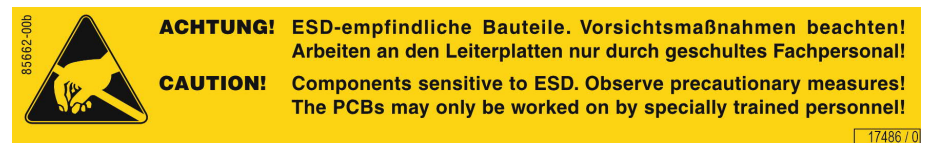


17: USA mains connection sticker (1515539-..)



The sticker is mounted on the left side panel.

18: Sticker ESD (85662-..)



The sticker is mounted on several places in the device.

19: Sticker CONDENSATE (84547-..)

This sticker is attached to the condensation tank.

20: Sticker Blue LED risk group 2 (1020652-..)

ACHTUNG ! Blaue LED´s:
Risikogruppe 2

Möglicherweise gefährliche
optische Strahlung. Bei
Betrieb nicht für längere
Zeit in die Lampe blicken.
Kann für Augen schädlich sein.

CAUTION ! Blue LED´s:
Risk group 2

Possibly hazardous optical
radiation emitted from this
product. Do not stare at
operating lamp. May be
harmful to the eyes.

19327 / 0

The sticker is mounted on the inside of the canopy.





3.10 Technical data

3.10.1 Power rating, electrical specifications and noise level

Model-No.: JK 164 / 42-3 TLT			
Power consumption rating without Air conditioning:	7,600 W		
Rated frequency:	60 Hz		
Rated voltage:	230 V 3 phase	230 V 2 phase ¹⁾	
Rated overcurrent protection device:	30 amp 3-pole*	or	50 amp 2-pole*
Power supply:	4 x THHN AWG 10 ²⁾	or	7 x THHN AWG 10 ²⁾
Classification:	Type BF applied part lying surface (PMMA)		
Protection ingress classification:	IP20		
Protection against shock:	Class I		
Noise level 1m away from device (without exhaust air):	62.5 dB(A)		
Noise level inside the device:	< 72.5 dB(A)		
Load on the acrylic panel:	max. 330 lbs / 150 kg		
Weight:	approx. 1096 lbs / 497 kg		
Max. humidity:	< 70%		
Ambient temperature:	59-89 °F (15-32 °C)		
Max. operating altitude (above sea level):	< 6,500 ft (2,000 m)		

* Due to high inrush current caused by the electrical components used, such as ballasts, power supplies, etc., the units must be protected by slow-blow fuses.

When using circuit breakers, make sure that they have tripping characteristic D or similar.

¹⁾ For 2-phase installation, you need a special conversion box for the device to be operated. Please contact the customer service department before putting the device into operation - see page 2.

²⁾ Wire size is dependent on local electrical code. Please check with your local electrician or inspector to ensure proper size is used.

Model-No.: JK 164 / 42-3 TLT AC			
Power consumption rating with Air conditioning:	8,800 W		
Rated frequency:	60 Hz		
Rated voltage:	230 V 3 phase	230 V 2 phase ¹⁾	
Rated overcurrent protection device:	35 amp 3-pole*	or	60 amp 2-pole*
Power supply:	4 x THHN AWG 8 ²⁾	or	7 x THHN AWG 8 ²⁾
Classification:	Type BF applied part lying surface (PMMA)		
Protection ingress classification:	IP20		
Protection against shock:	Class I		
Noise level 1m away from device (without exhaust air):	62.5 dB(A)		
Noise level inside the device:	< 72.5 dB(A)		
Load on the acrylic panel:	max. 330 lbs / 150 kg		
Weight:	approx. 1096 lbs / 497 kg		
Max. humidity:	< 70%		
Ambient temperature:	59-89 °F (15-32 °C)		
Max. operating altitude (above sea level):	< 6,500 ft (2,000 m)		



* Due to high inrush current caused by the electrical components used, such as ballasts, power supplies, etc., the units must be protected by slow-blow fuses.

When using circuit breakers, make sure that they have tripping characteristic D or similar.

¹⁾ For 2-phase installation, you need a special conversion box for the device to be operated. Please contact the customer service department before putting the device into operation - see page 2.

²⁾ Wire size is dependent on local electrical code. Please check with your local electrician or inspector to ensure proper size is used.



NOTE:

Adaptation of the unit is required for operating altitudes greater than 6,500 ft / 2,000 m above sea level in order to guarantee trouble-free operation.

Essential performance



NOTE:

The essential performance of the device is the UV exposure dose within specified limits, whereas the upper limit must not be exceeded. No-radiation or zero radiation does not result or contribute to an injury of the user.

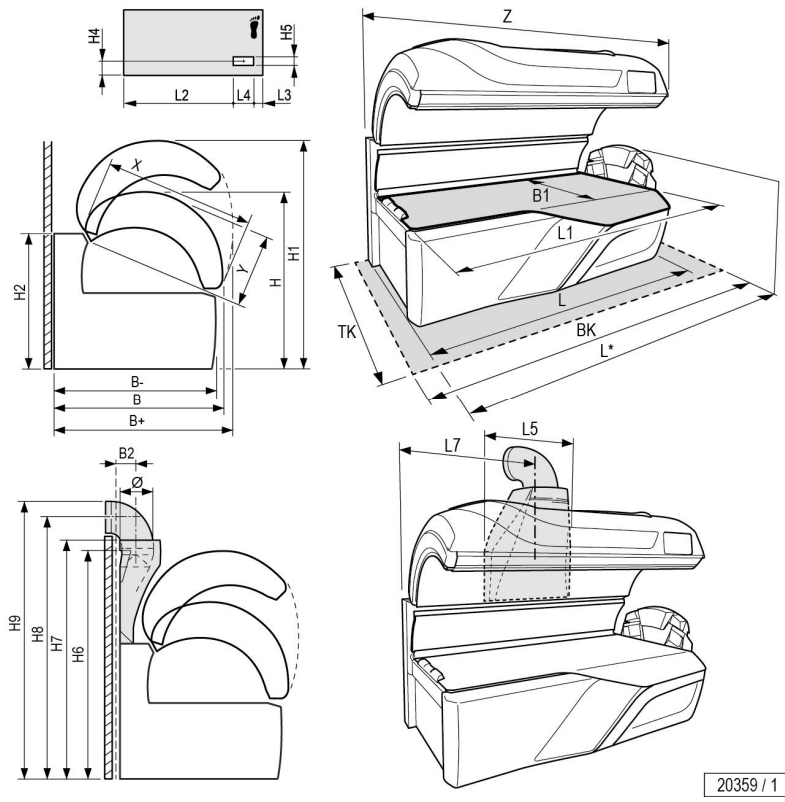
Lower limit	exposure dose 0,75 MED ^{*)}
Upper limit	exposure dose 4 MED ^{*)}

^{1 *)} in compliance with 21 CFR 1040.20 and FDA's timer policy



3.10.2 Dimensions

Model-No.: JK 164 / 42-3 TLT AC / JK 164 / 42-3 TLT:



20359 / 1

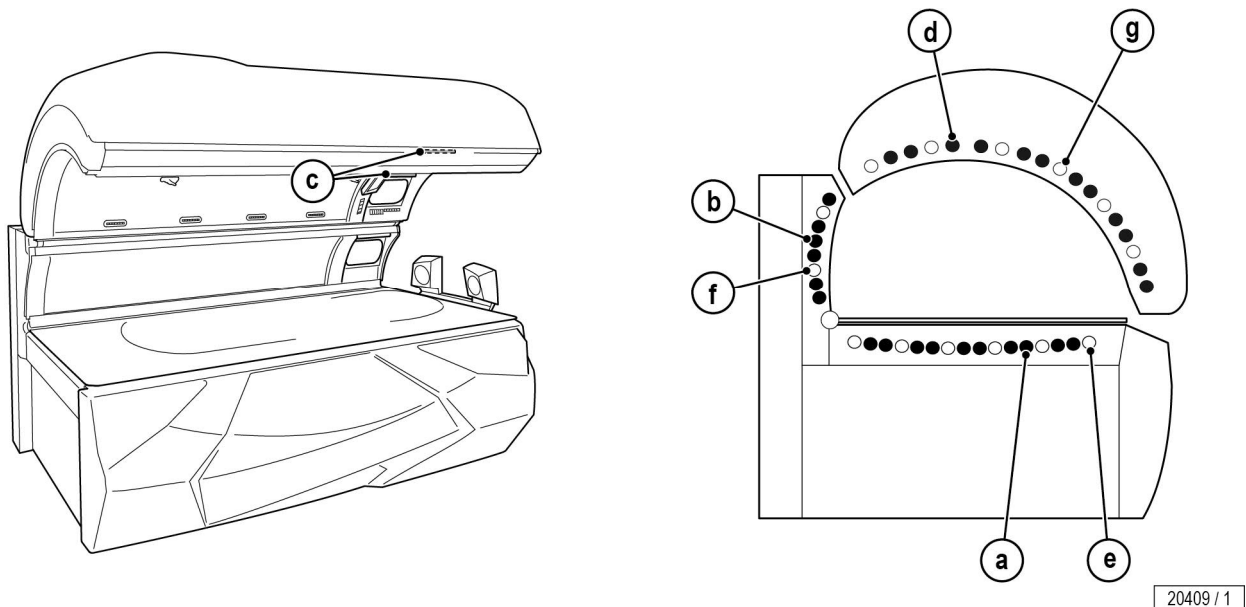
B + =	53 2/20 in	1,350 mm
B =	52 5/6 in	1,342 mm
B - =	53 7/10 in	1,364 mm
B1 =	42 13/25 in	1,080 mm
B2 =	7 65/96 in	195 mm
L* =	92 37/58 in	2,353 mm
L =	88 17/90 in	2,240 mm
L1 =	86 43/70 in	2,200 mm
L2 =	70 43/91 in	1,790 mm
L3 =	13 3/20 in	334 mm
L4 =	4 21/29 in	120 mm
L5 =	23 28/45 in	600 mm
L7 =	44 5/53 in	1,120 mm
H =	60 2/51 in	1,525 mm
H1 =	72 21/46 in	1,815 mm
H2 =	43 4/13 in	1,100 mm
H4 =	21 17/26 in	550 mm
H5 =	4 21/29 in	120 mm
H6 =	73 37/87 in	1,865 mm
H7 =	75 2/3 in	1,922 mm
H8 =	87 65/86 in	2,229 mm
H9 =	92 21/31 in	2,354 mm
X =	41 21/62 in	1,050 mm
Y =	25 23/73 in	643 mm
Z =	87 3/5 in	2,225 mm
Ø =	11 73/90 in	300 mm
BK =	98 37/87 in	2,500 mm
TK =	90 43/78 in	2,300 mm

3.10.3 Lamp configuration

NOTICE

The use of other lamps voids the operating license!

Model-No.: JK 164 / 42-3 TLT AC / JK 164 / 42-3 TLT



20409 / 1

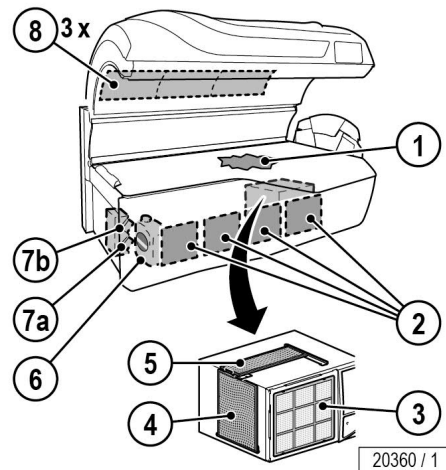
Lamp set

Number	Length	Power	Control	Order-no.	
c) 2	Low-pressure lamps GENESIS HLT HYBRID 8W	12 3/16 in (0.31 m)	8 W	8 W / 0 W	1514801-..
a) 10	UV low-pressure lamps GENESIS PLT PURE LIGHT Technology 160W	71 in (1.80 m)	160 W	160 W	1514847-..
e) 6	Low-pressure lamps GENESIS HLT HYBRID LIGHT Technology 160W	71 in (1.80 m)	160 W	160 W	1514849-..
b) 6	UV low-pressure lamps GENESIS PLT PURE LIGHT Technology 160W	71 in (1.80 m)	160 W	160 W	1514847-..
f) 2	Low-pressure lamps GENESIS HLT HYBRID LIGHT Technology 160W	71 in (1.80 m)	160 W	160 W	1514849-..
d) 12	UV low-pressure lamps GENESIS PLT PURE LIGHT Technology 160W	71 in (1.80 m)	160 W	160 W	1514847-..
g) 6	Low-pressure lamps GENESIS HLT HYBRID LIGHT Technology 160W	71 in (1.80 m)	160 W	160 W	1514849-..

3.10.4 Not applicable for this device



3.10.5 Spare parts



Model-No.: JK 164 / 42-3 TLT AC / JK 164 / 42-3 TLT:

Number	Description	Order-no.
1	Partition	1513266-..
2	Filter (only for devices with air conditioning)	52104-..
3	Filter (only for devices with air conditioning)	—
4	Filter (only for devices with air conditioning)	51937-..
5	Filter (only for devices with air conditioning)	55567-..
6	Not applicable for this device.	
7a/7b	Not applicable for this device.	
8	Filter	51937-..
	1 Protective goggles	1027211-..
	1 Allen-key	83828-..

For more spare parts, contact Customer Service (see page 2).

4 Why you use it



4.1 Intended use

This sunlamp product is intended exclusively for aesthetic tanning of the human skin, for one person at a time, at the age of 18 or above.

4.2 Skin condition

You may benefit from the use of this device

- if you tan in natural sunlight (skin types III, IV and V),
- if you have no acute sunburn or skin disease,
- if you take no medication or use cosmetics that may increase sensitivity to ultraviolet light.

Skin type I (Sensitive):

Invariably gets sunburn, accepts little natural sunlight and does not tan.



Skin type II (Fair):

Gets sunburn easily and severely, tans minimally or lightly and peels.



Skin type III (Average):

Often referred to as "Average" complexion, gets moderate sunburns and tans about average.



Skin type IV (Brown):

Seldom gets sunburns, tans easily and above average with each exposure.

Skin type V (Dark Brown):

This individual's skin rarely gets sunburns, tans easily and substantially.

5 Who cannot use it



5.1 Prohibited usage

5.1.1 Tanning system

 **WARNING!**



Danger through ultraviolet radiation!
Danger of skin and eye injuries or skin diseases!
– Please observe the following instructions.

The following people must not use the device:

- People under 18 years of age
- People with skin lesions or open wounds
- People with acute sunburn
- People who repeatedly suffered from serious sunburn during childhood
- People with naturally red hair and pale skin
- People with atypically discolored patches of skin
- People who have or have had skin cancer
- People who suffer from an increased risk of skin cancer (e.g. cases of skin cancer in the family)
- People among whose closest relatives a melanoma has occurred
- People who are being medically treated for photosensitivity
- People taking photosensitivity causing medicine
- People with freckles and people who tend to develop freckles
- People with more than 16 moles on their body (2 mm diameter or larger)
- People with atypical moles (atypical moles are, for example, asymmetrical moles with a diameter greater than 5 mm, with varying pigmentation and irregular edges)
- Seek medical advice if in doubt!

5.1.2 Vibra Shape (vibration plate)

Not applicable for this device.

6 What you must do to avoid serious harm



6.1 General

DANGER – HIGH VOLTAGE!



You can be killed or injured by an electric shock!
 Assembly and electrical connection must comply with national and local regulations.

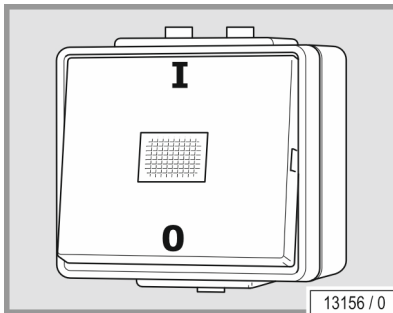
- The device may only be assembled, installed, upgraded or repaired by authorized, trained and qualified staff.

WARNING



Risk of electric shock!

- To avoid risk of electric shock, this equipment must only be connected to a mains supply with protective earth grounding.



The electrical installation must have a freely accessible, all-pole disconnecting device (Master switch with clearly labelled On/Off settings, e.g. 'O' and 'I' or additional indicator light) fitted externally on the site.

DANGER – HIGH VOLTAGE!



You can be killed or injured by an electric shock or injured by overexposure!

- Skin damage and sunburn possible
 Danger of overheating by obstruction of the air routing.
- No modification of this equipment is allowed.



6.2 Tanning system

WARNING!



WARNING!

Unprotected tanning may result in eye injury and eye diseases!

The unprotected eye can become inflamed on the surface, and in certain cases the retina can be damaged by excessive radiation. Cataracts can form after repeated exposure to radiation.

- Inform users to use the included protective goggles that block UV.
-

WARNING!



Danger of ultraviolet radiation.

Ultraviolet radiation - follow instructions.

Failure to use protective eyewear may result in severe burns or other eye injury - if discomfort develops, discontinue use and consult a physician.

- As with natural sunlight, overexposure can cause eye injury and sunburn;
 - Repeated exposure may cause premature aging of the skin and skin cancer;
 - Medications or cosmetics applied to the skin, may increase sensitivity to ultraviolet light;
 - A person who does not tan in the sun most likely will not tan from the use of this device;
 - A person having a history of skin problems should consult a physician before use;
 - Overexposure should be avoided;
 - The elderly, or fair skinned people who always burn easily and either never tan or tan minimally should not use this equipment.
 - The appliance is not allowed to be used by more than one person at the same time.
 - This sunlamp product should not be used on persons under the age of 18 years.
-

WARNING!



WARNING!

Danger of long-term consequences!

Exposure to ultraviolet radiation may increase the likelihood of developing skin cancer and cause serious eye injury.

- Overexposure should be avoided.
 - This sunlamp product should not be used on persons under the age of 18 years.
-

 **WARNING!**



WARNING!

This device emits electromagnetic fields!

EM-Emission inside device:

– 5 Hz – 2 kHz	max. 2.1 μ T (1.5 kV/m)
2 kHz – 400 kHz	max. 3.3 μ T (1.3 kV/m)
9 kHz – 30 MHz	max. 35 db μ V/m (56 μ V/m)
30 MHz – 1 GHz	max. 95 db μ V/m (56 μ V/m)
1 GHz – 6 GHz	max. 90 db μ V/m (32 μ V/m)



If you have an active implant or body worn medical device (e.g. insulin body pump, blood glucose sensor) consult your health care provider before use of this device.

- Seek medical advice if in doubt!

6.3 Sensor

Not applicable for this device.

7 What you must do to avoid other harm



7.1 General

WARNING!



WARNING!

Infections can be transferred through skin contact. All items/equipment components, with which the user can come into contact during tanning, must be disinfected after every tanning session:

- Protective goggles
 - Acrylic panels
 - Handles and control panel
 - Adjustable air nozzles
 - Use only EPA registered quaternary ammonium germicidal based detergent solution (follow product label for use-dilution), such as Lucasol One Step, to clean and disinfect the tanning system and its components.
-

7.2 Tanning system

WARNING!



WARNING!

Danger of long-term consequences!

- Overexposure should be avoided.
 - The elderly, or fair skinned people who always burn easily and either never tan or tan minimally should not use this equipment.
 - This sunlamp product should not be used on persons under the age of 18 years.
 - While there is no immediate clinical evidence of UV exposure and its effects upon expectant mothers, it is strongly advised that expectant mothers be discouraged from using the tanning unit.
-

7.3 Sensor

Not applicable for this device.

7.4 Vibra Shape (vibration plate)

Not applicable for this device.

7.5 Foreseeable misuse



The following uses of the device are explicitly prohibited:

- Only one person at a time may use the device.
- People with body weight of more than 330 lbs (150 kg) may not use the device.
- Exceeding the specified tanning times may result in burns and long-term skin damage.
- When the device is in use no other people may remain in the room. This includes both children and adults.

7.6 Obligations of the studio operator

- As the studio operator you are responsible for informing users on possible risks of tanning.
- All danger and safety labels attached to the device must be observed! Do not remove them!
- No safety equipment (e.g. panel switch) may be removed, deactivated, or otherwise bypassed as it can impair the safe operation of the device!
- The device may only be used when in completely operational condition!
- It is the studio operator's responsibility to ensure the tanning system is handled properly.

7.7 Staff training

As the operator you are obligated to train your personnel and instruct them in the established legal and accident prevention regulations. Ensure that your staff have understood and observe these instructions. This includes:

- information regarding intended use and foreseeable misuse
- safety instructions
- operating instructions
- cleaning/disinfection and maintenance instructions
- Please make the instructions and additional information from the manufacturer available to the staff at their workplace.
- Regularly check your staff's safety consciousness and awareness of the risks, taking into account your operating instructions.
- Please ensure that the cleaning/disinfection intervals are complied with, in particular cleaning and disinfection after every use.
- Please ensure that your staff provide your customers with appropriate advice, in particular regarding tanning times, possible risks and the operation of the device.

8 Risks of using this device



WARNING!



Danger through ultraviolet radiation!
Danger of skin and eye injuries or skin diseases!
– Please observe the following instructions.

- This sunlamp product must not be used on individuals who have had skin cancer or have a family history of skin cancer.
- Persons repeatedly exposed to ultraviolet sunlamp products must be evaluated for skin cancer regularly.
- This sunlamp product must not be used by people among whose closest relatives a melanoma has occurred.

Contraindications! The following people must not use this system:

- People under 18 years of age
- People with skin lesions or open wounds
- People with acute sunburn
- People who repeatedly suffered from serious sunburn during childhood
- People with naturally red hair and pale skin
- People with atypically discolored patches of skin
- People who have or have had skin cancer
- People who are being medically treated for photosensitivity
- People taking photosensitivity causing medicine
- People with freckles and people who tend to develop freckles
- People with more than 16 moles on their body (2 mm diameter or larger)
- People with atypical moles (atypical moles are, for example, asymmetrical moles with a diameter greater than 5 mm, with varying pigmentation and irregular edges)

9 Benefits of using this device



The primary technical components of sunlamp products are artificial sources of UV radiation as well as a mechanical structure with a defined active surface.

UV lamps emit different UV-A and UV-B proportions of the UV radiation. The UV-A proportion primarily generates a superficial tan, which appears rapidly and is intensive but also fades more rapidly. The UV-B radiation is primarily responsible for more long-term tanning results. Using traditional UV light with the combination of red and blue light the user indulges in a new luxurious tanning experience. Optimal tanning results are achieved due to the synergistic combination of light spectra.

10 How to decide to use this device



This device is intended only for commercial use and not for private use.

Some people are not permitted to use the device, see chapter 5.

The device may not be used by people with reduced physical, sensory or mental capabilities or who have insufficient experience and/or knowledge without supervision. A person responsible for their safety must ensure, either by supervision or instruction, that the device is used correctly and safely. If there is any doubt, use of the device by such categories of persons is to be forbidden!

11 What to do before the treatment



Please check for any conditions that may prohibit the use of this device – see chapters 5, 6, 8, 10.

Make-up in the tanning device

Please do not wear make-up. Clean skin absorbs UV light better.

A wide variety of materials is found in cosmetics. Whether these are emulsifiers, greases, or fragrances - in conjunction with UV radiation, these can cause skin allergy reactions.

Remove all make-up. This is essential. Make-up clogs the pores in the face. The UV light from a tanning device re-opens these clogged pores so that not only does the light penetrate the skin, but also the allergic components of the make-up.

A further negative consequence of make-up is that the appearance of the skin deteriorates irreversibly over a period of time. However good make-up looks - in conjunction with UV light, it causes more harm than good. Therefore remove all make-up before a session in your tanning device - it will be much better applied afterwards.

- Remove all jewelry (including piercings) prior to the application.
- Remove cosmetics before using the device and do not use sun screen products.

Are medications and the tanning device compatible?

It is known that some medications increase the skin's sensitivity to UV light. This probability is particularly high with antibiotics, sulphonamides, psychiatric drugs, tranquillizers, anti-diabetes treatments and diuretics. Sun creams which contain psorale or kumarin also increase skin sensitivity. If you are in any doubt, first ask your doctor.

Contact lenses in the tanning device?

Like any other tanning device user, contact lens wearers should also wear special protective goggles which protect the eyes against UV radiation.

Even when using contact lenses with UV protection, the protective goggles are mandatory.

Showering after leaving the tanning device?

The browning is in the skin, not on it. Therefore you cannot wash it off. Treat your skin to a moisturizing cream after showering.

12 How to use this device



12.1 How to set this device up

After commissioning and cleaning/disinfection, the device is ready for operation.

12.2 How to make sure the device works

Before using the device, check for damage to acrylic panels.

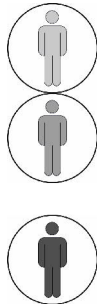
12.3 How to use it to treat your condition

- No other persons are permitted inside the cabin while the device is in use.
- UV light can cause irreversible skin or eye damage. The unprotected eye can become inflamed on the surface, and in certain cases the retina can be damaged by excessive radiation. Cataracts can form after numerous repeated tanning sessions. Use the UV-impermeable protective goggles provided (order no. 1027211-..). Contact lenses and sun glasses are no substitutes for protective glasses.
- Always comply with the recommended application times.



12.4 How to choose correct treatment regimen

12.4.1 Skin types



Skin type I (Sensitive):

Invariably gets sunburn, accepts little natural sunlight and does not tan.

Skin type II (Fair):

Gets sunburn easily and severely, tans minimally or lightly and peels.

Skin type III (Average):

Often referred to as "Average" complexion, gets moderate sunburns and tans about average.

Skin type IV (Brown):

Seldom gets sunburns, tans easily and above average with each exposure.

Skin type V (Dark Brown):

This individual's skin rarely gets sunburns, tans easily and substantially.

12.4.2 Tanning times



NOTE:

The tanning times given in the table must not be exceeded!

Skin Type	Recommended Exposure Schedule				
	Week 1 1st - 3rd Sessions	Week 2 4th - 6th Sessions	Week 3 7th - 10th Sessions	Week 4 11th - 15th Sessions	Weekly Subsequent Sessions
I - Sensitive	NOT ADVISED	NOT ADVISED	NOT ADVISED	NOT ADVISED	NOT ADVISED
II - Fair	2 Min.	5 Min.	8 Min.	10 Min.	12 Min.
III - Average	2 Min.	5 Min.	8 Min.	10 Min.	12 Min.
IV - Brown	2 Min.	7 Min.	10 Min.	12 Min.	12 Min.
V - Dark Brown	2 Min.	7 Min.	10 Min.	12 Min.	12 Min.

DANGER OF ULTRAVIOLET RADIATION.
Follow all instructions. Avoid over-exposure as with natural sunlight. Over-exposure may cause eye and skin injuries, as well as allergic reactions. Repeated exposure may lead to premature aging of skin and skin cancer.
MAXIMUM TANNING TIME: 12 MINUTES

WEAR PROTECTIVE EYEWEAR! FAILURE TO DO SO MAY RESULT IN SEVERE BURNS OR LONG TERM INJURY TO THE EYES.
Certain medications or cosmetics may increase your sensitivity to ultraviolet radiation. Consult a physician before using sunlamps if you are using medications, have a history of skin problems or believe yourself to be especially sensitive to sunlight. If you do not tan in the sun, you are unlikely to tan from the use of this product.

This unit utilizes UV lamps. Replace only with **GENESIS PLT PURE and HLT HYBRID LIGHT Technology 160W, GENESIS HLT HYBRID 8W (low-pressure / facial tanner)** or other recognized equivalent lamps that are compliance with FDA's policy on lamp compatibility. To obtain the recommended exposure distance, lie in the middle of the acrylic glass panel and lower the canopy to the closed position.
Warning: The use of any other position may result in overexposure!

Tanning can begin on a regular basis. A tan normally appears after several exposures and is maximized after four (4) weeks of exposure in accordance with the recommended exposure schedule for your skin type. In order to maintain your tan 12 minute sessions are recommended from the fifth week onward.

Use protective eyewear (Super Sunnies® or model 2255 or FLEXIVISION) whenever the unit is in operation. Read and follow the instruction booklet before using this product. To avoid electrical shock during maintenance, disconnect the unit from the power source. This product conforms with the performance standards for sunlamp products under 21 CFR 1040.20, FDA. Part No: **1028528-...**

Do not tan more than once in a 24-hour period.

20497 / 0

The sticker is mounted on the lamp cover foot end.

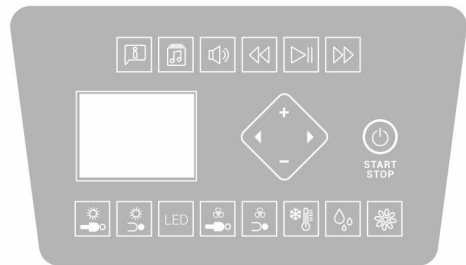


12.5 How to operate the device



NFC CONNECT

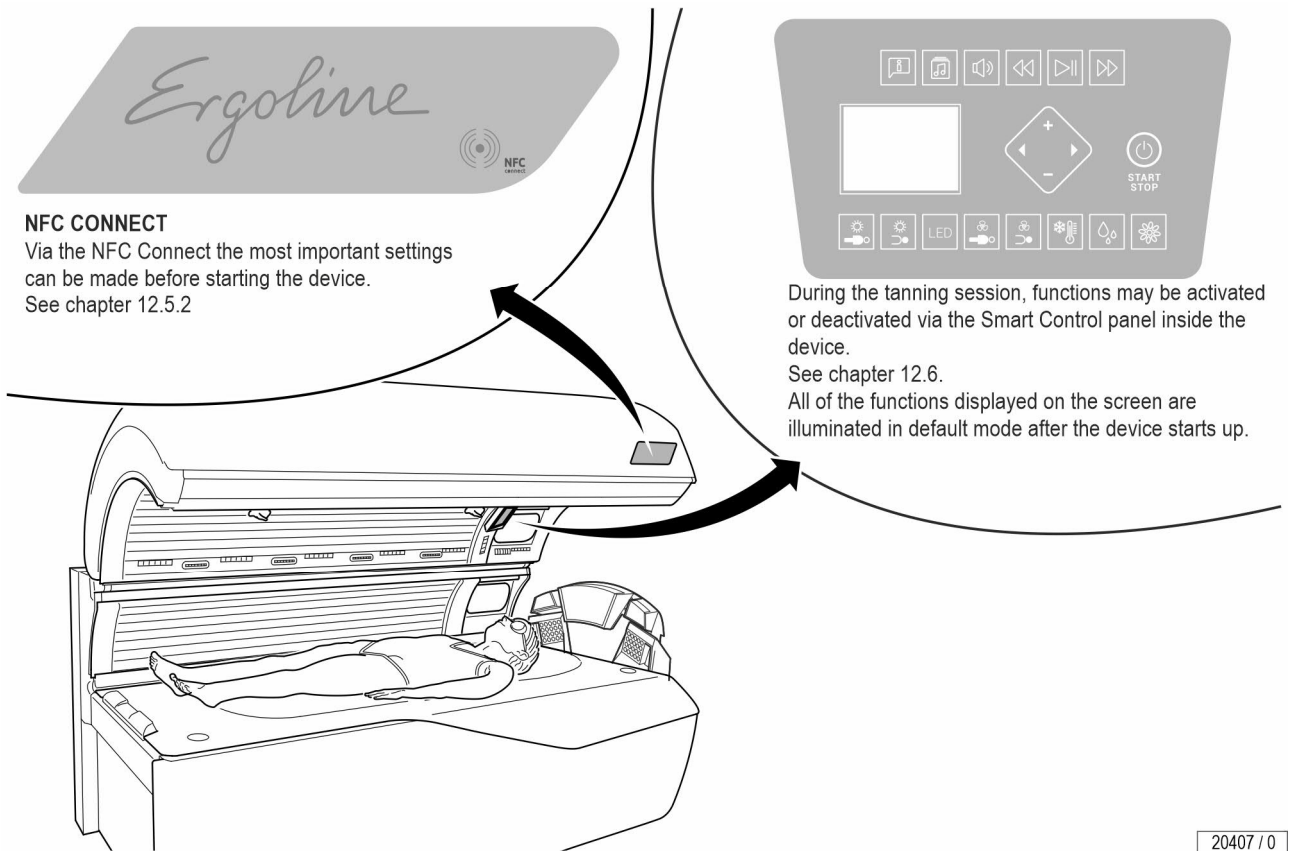
Via the NFC Connect the most important settings can be made before starting the device.
See chapter 12.5.2



During the tanning session, functions may be activated or deactivated via the Smart Control panel inside the device.

See chapter 12.6.

All of the functions displayed on the screen are illuminated in default mode after the device starts up.



20407 / 0

12.5.1 Professional Setup Manager

In PROFESSIONAL SETUP MANAGER, operating states can be called up and pre-settings entered.




NOTE:

Pre-setting mode can only be called up when tanning is not taking place.

30 seconds after the last button was pressed, the device changes automatically into standby mode and the currently set values are saved.







NOTE:

To open the PROFESSIONAL SETUP MANAGER, press button  for approximately 3 seconds in standby mode.

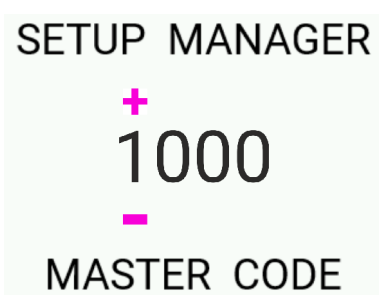
On the control panel:




-   Selection of the unit function on the directional pad
-   Functions or settings can be activated, deactivated or changed on the directional pad.




Start screen: Welcome to Ergoline



PROFESSIONAL SETUP MANAGER (presetting mode)

Press  for approx. 3 seconds to open the PROFESSIONAL SETUP MANAGER.

Use   to enter the master code (factory setting 1000).



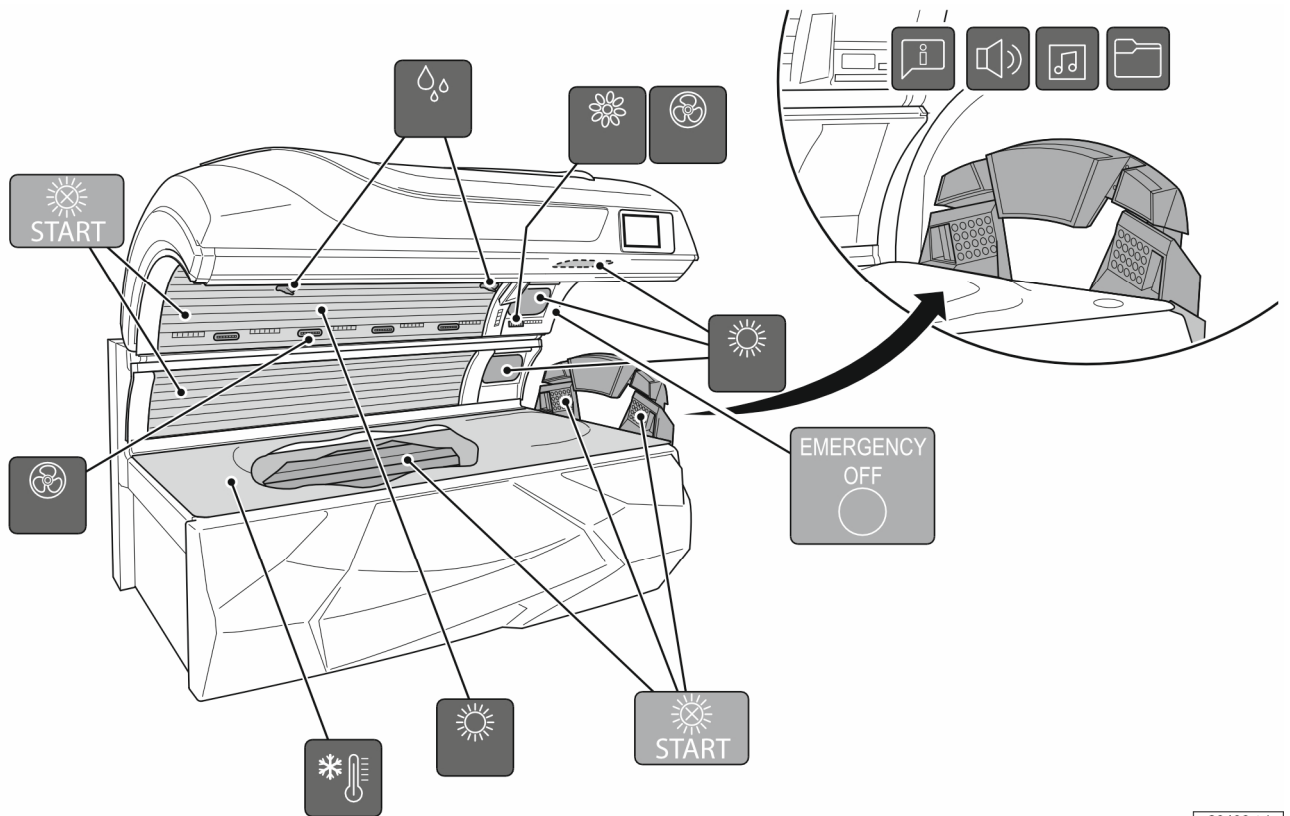
NOTE:

Further information on the PROFESSIONAL SETUP MANAGER is available in the 'PROFESSIONAL SETUP MANAGER' brochure, order no. 1014640-..(see folder: Technical Documentation).

12.5.2 User settings overview

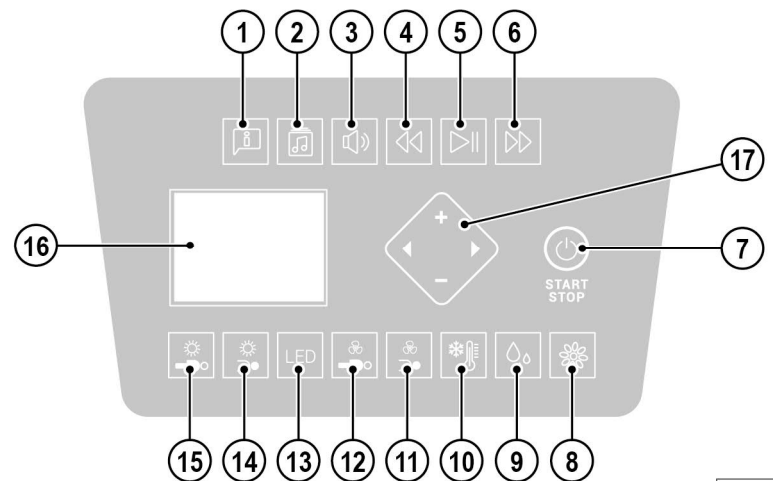
Not applicable for this device.

12.6 Functions



20493 / 1

SMART CONTROL PANEL



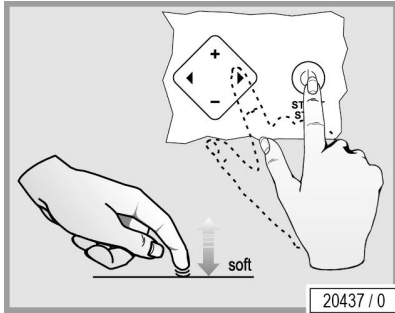
20391 / 0

1. Voice Guide pictogram
2. Audio source pictogram
3. Volume pictogram
4. Audio back pictogram
5. Audio pause/play pictogram
6. Audio next pictogram
7. START/STOP pictogram
8. Not applicable for this device.
9. Not applicable for this device.
10. Air Condition pictogram (Option)
11. Facial fan pictogram
12. Body fan pictogram
13. Total Light Technology LEDs (Red & Blue) pictogram
14. SPECTRA LED Boards pictogram, facial tanner
15. LED Total Light Technology LEDs (Red & Blue) body pictogram
16. Display – Functions ...
17. Feature selection



NOTE:

All applicable functions displayed on the screen are illuminated in default mode after the device starts up.



12.6.1 Navigation

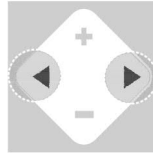
SMART CONTROL PANEL

The SMART CONTROL PANEL enables comfortable access to special functions.



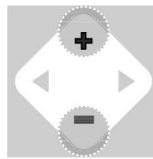
Acknowledge selection.

This button's availability is displayed on the SMART CONTROL PANEL, depending on the function that has been selected.



Acknowledge selection.

This button's availability is displayed on the SMART CONTROL PANEL, depending on the function that has been selected.



Select device function.

Pictograms of available functions are illuminated in default mode after starting up the tanning device. After selecting a function, the corresponding indicator flashes for a short time. During this time settings may be changed.

Information about the setting options can be found in the separate document 'Professional Setup Manager' 1014640-.. which is provided in the Technical Documentation folder.



NOTE:

Pressing and holding  button for 3 seconds activates the demo mode. This allows you to demonstrate the following functions without tanning.



NOTE:

If no button is pressed within 8 seconds, the settings return to default mode.



NFC-Point

Data exchange via contactless near field communication – individual settings can be stored on a NFC medium (e.g. NFC tag) and called up again during the next session.

Information about the setting options can be found in the separate user manual 'PROFESSIONAL SETUP MANAGER' in the folder Technical Documentation.

All of the pictograms displayed on the screen are illuminated in default mode after the device starts up.

The relevant pictogram will start to flash after a device function has been selected. The settings or selection options available for the selected function will be displayed on the screen.

NFC CONNECT¹

The data transfer is indicated by colors.



The NFC point flashes pulsating:
Ready/Standby
Data can be transferred to a data carrier.



The middle of the NFC point is green:
Settings have been successfully transferred from the data carrier.





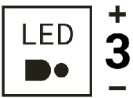















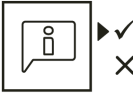
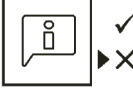

The middle of the NFC point is blue:
Settings have been successfully transferred to the data carrier.

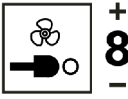
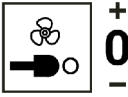


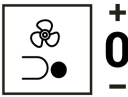




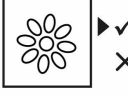
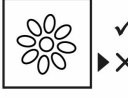
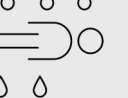



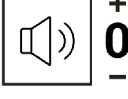
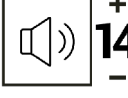



The middle of the NFC point is orange:
a) Transmission error
– Hold the card in front of the point again and wait a little longer.
b) The data carrier is empty.
– The settings can be saved to the data carrier after the session.

















¹ Communication system: NFC (Near Field Communication); ISO/IEC 14443A/MIFARE;
max. operating range: approx. 50 mm, frequency range: 13.56 MHz

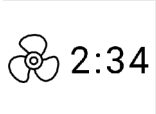


12.6.2 Description

Icon selection / Navigation Key sequence	Description / Display	Information
 	<p>START/STOP</p> <p>Switches the device on / off during the tanning session</p>	<p>The tanning time continues to run if the device is switched off during tanning session.</p>
  	<p>Application type: levels 0–3</p>	<p>The application type can be selected via .</p>
 	<p>Not applicable for this device.</p>	
  	<p>Regulate the SPECTRA LED Boards, facial tanner levels 0-3</p>	<p>The application type can be selected via .</p>
 	<p>Not applicable for this device.</p>	
  	<p>To switch the air conditioning unit off: Press the minus button for 3 seconds</p> <p>To switch the air conditioning unit on: Press the plus button for 1 seconds.</p>	<p>Optional: During tanning the air conditioning can only be switched back on after 3 minutes. The application type can be selected via .</p>
  	<p>Switch off Voice Guide: Press the minus button</p> <p>Switch on Voice Guide: Press the plus button</p>	<p>The voice guide provides acoustic device operation assistance and is only available if an audio system is fitted. Voice Guide is switched on by default during stand-by and tanning.</p>

Icon selection / Navigation Key sequence	Description / Display	Information
 		<p>Regulate the body fan, levels 0-8</p> <p>The application type can be selected via .</p>
 		<p>Regulate the face fan, levels 0-8</p> <p> The face cooling air nozzles can be adjusted manually.</p> <p>The application type can be selected via .</p>
 	<p>Not applicable for this device.</p>	
   	<p>Not applicable for this device.</p>	
 		<p>Adjust volume: levels 0 - 14</p> <p>Reduce volume: Press the minus button</p> <p>Increase volume: Press the plus button</p>



Icon selection / Navigation Key sequence	Description / Display	Information
	<p>Audio system SD card selection: Press the plus button</p> 	<p>If there are different music folders on the SD card, they can be selected via </p> <p>The  buttons can be used to select titles for internal music in demo mode and during tanning.</p>
	<p>Studio channel selection: Press the plus button</p>	<p>The  buttons can be used to select titles for music in Studio channel mode during tanning.</p>
	<p>Not applicable for this device.</p>	
	<p>Switch off the audio system: Press the minus button</p>	
<p>MUSIC</p>  <p>STOP</p>	 <p>Stop the Audio system: Press Audio pause/play button.</p>	
<p>MUSIC</p>  <p>PLAY</p>	<p>Continue the Audio system: Press Audio pause/play button.</p>	
 12:34 Folder The doors Waiting for the sun	<p>Not applicable for this device.</p>	
 12:34 Folder Artist Titel		
<p>EMERGENCY OFF</p> 	<p>EMERGENCY OFF</p> 	<p>In standby, the EMERGENCY OFF button does not have any function.</p> <p>If the EMERGENCY OFF button is pressed, the device shuts down except for the control element. In this state, the display indicates that the EMERGENCY OFF button has been pressed.</p>
		<p>The display appears alternately.</p> <p>The tanning time is ended.</p> <p>The Voice Guide verbally navigates the user through the EMERGENCY OFF function.</p> <p>The EMERGENCY OFF can only be cancelled after a locking period of 2 seconds. Then the device starts again in tanning mode.</p>

Icon selection / Navigation Key sequence	Description / Display	Information
<p>AFTER SESSION</p>  <p>2:34</p>  <p>CLEANING</p>	<p>After fan run-on: Clean the device, then press the START/STOP button. The device is then ready for operation again.</p>	 <p>WELCOME</p>



12.7 Selection of the application

Not applicable for this device.

12.8 Operating display of the sensor

Not applicable for this device.

12.9 Sun Select setting with the outer interface

Not applicable for this device.

12.10 Measurement (automatic mode)

Not applicable for this device.

12.11 Connections

Not applicable for this device.

12.12 How to use



NOTE:

Before use the device must always be cleaned and disinfected! See chapter 12.15 How to clean/disinfect.



12.12.1 How to start

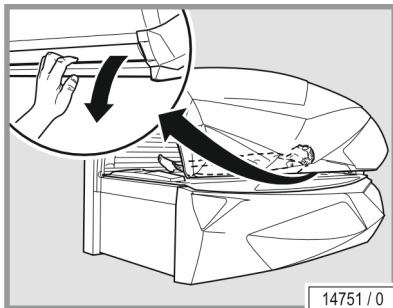
The device is started automatically with an internal or external timer.

The device is started automatically with an internal or external timer.



NOTE:

See separate document 'Timer Control Module' #1008370-.. in the Technical Documentation folder.



Preparation time

Before the lamps turn on, you have a few minutes to prepare yourself. During the preparation time you can switch on the lamps at any time by pressing the START/STOP button.

- Remove your clothes and all jewelry.
- Remove make-up and other cosmetics.
- Remove glasses. Contact lenses can be worn under the protective goggles.
- Put on the protective goggles.
- Lie down on the bed surface.
- Close the canopy.
- Press the START/STOP button.

12.12.2 Application tips

Tanning device

When describing the operation, the tanning device is often shown with the canopy open. During tanning the canopy must always be closed.

Proper operation is not possible with the canopy open.

- Lie down and place your head on the headrest or as indicated by the ergonomic base panel to maintain the proper distance between skin and lamps.

12.12.3 How to stop

The tanning session ends automatically after the preset time has run down. The internal body cooling fan continues to run for approx. three (3) minutes to sufficiently cool the device.

- To interrupt a tanning session, press and hold button START/STOP anytime during a session.
- Press START/STOP again to restart the lamps.

12.13 What to do after the treatment

12.13.1 Cleaning and disinfection



WARNING!



WARNING!

Infections can be transferred through skin contact. All items/equipment components, with which the user can come into contact during tanning, must be disinfected after every tanning session:

- Protective goggles
- Acrylic panels
- Handles and control panel
- Adjustable air nozzles
- Use only EPA registered quaternary ammonium germicidal based detergent solution (follow product label for use-dilution), such as Lucasol One Step, to clean and disinfect the tanning system and its components.



NOTE:

For thorough cleaning and disinfection, the product must be allowed to remain in contact with the surface being cleaned and disinfected for a specified amount of time.

This specified amount of time depends on the cleaner/disinfectant which is used. Follow the directions for use of the cleaner/disinfectant.

After this specified application time remove remaining cleaner/disinfectant from the surfaces of the device. Use a single-pass paper towel.

Once the remaining cleaner/disinfectant has been removed, perform a visual inspection for signs of any remaining cleaning solution, or areas still soiled. If either are remaining, repeat the cleaning process until a visual inspection can be successfully completed without the need for additional cleaning.

If any of the components listed above cannot be successfully cleaned and disinfected, they must be replaced.



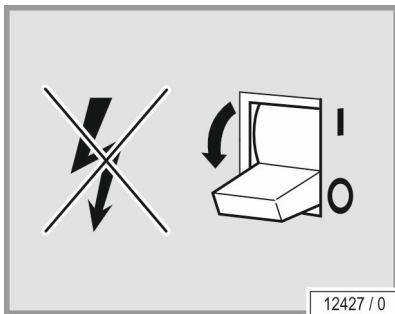
12.14 Safety instructions for cleaning/disinfection and maintenance

⚠ DANGER – HIGH VOLTAGE!

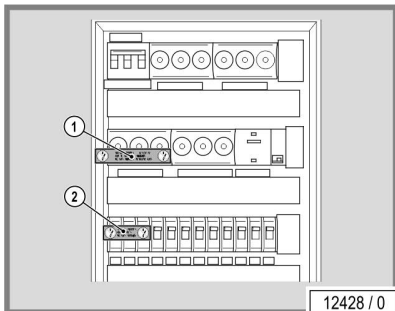


You can be killed or injured by an electric shock! During maintenance and service work there is a risk of touching live parts and receiving a fatal electric shock.

- The device must not be in use.
- Disconnect device from power supply before opening.
- Do not reach behind covers and do not open the device with the device switched on.
- Refit any safety devices (e.g. switches) after the work has been completed.



12427 / 0



12428 / 0

If work is to be performed on the devices, they must be deenergized. That means that all live cables must be switched off.

Switching off the device alone is insufficient, as certain points may remain energized. Therefore, switch off fuses before performing any work and – if possible – remove them.

Accidental reactivation can result in serious accidents. Immediately after deenergizing, secure all switches or fuses used for deenergizing against being switched on again.

- Lock the fuse box with a padlock.

In case of circuit breakers which cannot be unscrewed, a strip of adhesive tape may be applied over the actuation lever (1 + 2) with the wording 'Do not switch, danger!'.

A prohibition sign with the text:

'Work in progress!'

'Place:

'Sign may only be removed by:

must always be securely mounted immediately.

It is imperative that you, the owner and/or operator, check all components for any signs of wear which may occur through normal use.

- Observe the cleaning/disinfection and maintenance schedule specified in the tables in chapter 12.15.2 and 12.16.2.
- Only replace low pressure lamps with the original type or compatible lamps.

Should you require any assistance or need additional information, please call Global Service USA at 800 445 0624, Monday through Friday 8:00 a.m. - 5:00 p.m. CT.



NOTE:

The service of the device may only be carried out by a (Level 2) JK Factory Certified Technician.

 **WARNING!****WARNING!**

Injuries and damage due to improper maintenance!
If incompatible UV lamps are installed, the share of harmful UV radiation may increase. Sunburn and other skin damage may result.

Improper maintenance can cause the device to be damaged or to become unusable.

- Always comply with the specified maintenance intervals, see chapter 12.16.2 Maintenance plan.
- Follow the cleaning/disinfection instructions.

Danger of burns from hot lamps and device parts!

If the tanning device was operated before being switched off and opened, lamps and housing parts may be hot.

- Before replacing lamps or other spare parts, wait until lamps and metal parts of the device have cooled down sufficiently.

Danger of squeezing!

When opening and closing the panels and acrylics, you can squeeze your fingers.

Maintenance and care play a major role in deciding the devices performance and appearance over its useful life. Diligent compliance at the specified intervals is absolutely necessary to ensure the proper operation of your device.

The current operating hours of the parts requiring maintenance can be displayed in the Presetting mode – see separate document 'PROFESSIONAL SETUP MANAGER' #1014640-.. in the Technical Documentation folder.

Please note that the device must be inspected regularly by a JK authorized representative every 12 months (from date of installation) to maintain its proper condition!



Acrylic panel

NOTICE

Cosmetics may cause cracks to form on the surface!

Over the long-term cosmetics or sunscreens cause damage (e.g. crack formation on the surface).

- Ensure that cosmetics and sunscreens are removed before tanning.
-

The acrylic panels for the tanning devices are produced of acrylic glass developed especially for this application. The acrylics used feature a particularly high UV permeability and resistance, as well as an easy-care, hygienic surface that is gentle on the skin.

The acrylic panels are formed to device-specific shapes in a technically complex production process. Despite state-of-the-art production know-how, the presence of minor spots, air bubbles or streaks in the acrylic panels is unavoidable. In addition, hairline cracks can occur on the acrylic panel during operation.

These occurrences are material-related and are unavoidable in processing. However, they have no significant effect on use and are therefore not accepted as defects.

Over the course of time the acrylic panel will become discolored as a result of usage and must be replaced by customer-service personnel on a regular basis.

The partition works as a UV filter and must be replaced by customer-service personnel on a regular basis.

12.15 How to clean/disinfect



WARNING!



WARNING!

Infections can be transferred through skin contact.

All items/equipment components, with which the user can come into contact during tanning, must be disinfected after every tanning session:

- Protective goggles
- Acrylic panels
- Handles and control panel
- Adjustable air nozzles
- Use only EPA registered quaternary ammonium germicidal based detergent solution (follow product label for use-dilution), such as Lucasol One Step, to clean and disinfect the tanning system and its components.



NOTE:

For thorough cleaning and disinfection, the product must be allowed to remain in contact with the surface being cleaned and disinfected for a specified amount of time.

This specified amount of time depends on the cleaner/disinfectant which is used. Follow the directions for use of the cleaner/disinfectant.

After this specified application time remove remaining cleaner/disinfectant from the surfaces of the device. Use a single-pass paper towel.

Once the remaining cleaner/disinfectant has been removed, perform a visual inspection for signs of any remaining cleaning solution, or areas still soiled. If either are remaining, repeat the cleaning process until a visual inspection can be successfully completed without the need for additional cleaning.

If any of the components listed above cannot be successfully cleaned and disinfected, they must be replaced.



12.15.1 Cleaning and disinfection of surfaces

Acrylic panel

NOTICE

Do not rub with a dry cloth – danger of scratching!

- Other cleaning agents, especially concentrated disinfectants or solvents (e.g. Lysoform, ethyl alcohol or other liquids containing alcohol) must never be used for cleaning. Failure to observe this voids all warranty claims.

Acrylic panels (2) & (14) & (15) referenced in section 12.15.2 'Cleaning/disinfection plan'

These panels are not in direct contact with the user, however they can become soiled if the user inadvertently touches them. If these panels are left soiled for an extended period of time, the heat and light from the tanning lamps may cause the soiled areas to become permanently stained. Therefore we recommend frequently inspecting and cleaning these panels when necessary, to ensure the serviceable life of the acrylic.

- Remove fingerprints and other soiling carefully.

Plastic surfaces

For cleaning the remaining painted and unpainted plastic surfaces, it is best to simply use warm water and commercially available soft chamois leather. Never use aggressive cleaning agents containing alcohol or essential oils. These may lead, in the long run, to damages not covered by the warranty.

During cleaning a slight discoloration of the leather cloth by the rubber seals should be expected for production-related reasons.

Prevent damage to the acrylic glass and plastic surfaces.

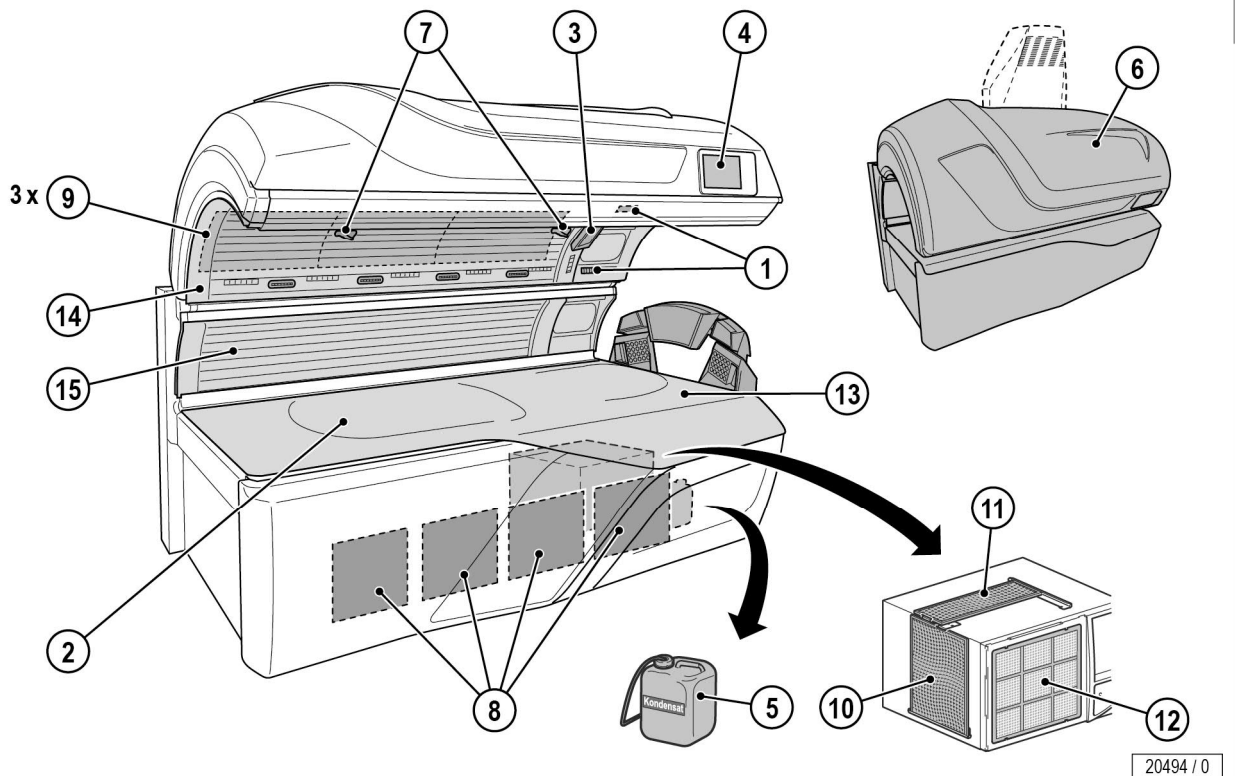
- Remove rings, watches, bracelets etc. before starting cleaning work.



LED-Board and lamps

- Low pressure lamps can be cleaned with a damp cloth and without additional cleaning agents where necessary.
- LED-Boards can be cleaned with a brush and vacuum cleaner.

12.15.2 Cleaning/disinfection plan



20494 / 0

Component	Interval	Activity	See page
	After each tanning session		
	When necessary		
	50 h		
1 Adjustable air nozzles	X	Clean and disinfect	61
2, 14, 15 Acrylic panel	X	Clean and disinfect	62
3 SMART CONTROL PANEL	X	Clean and disinfect	61
4 NFC CONNECT	X	Clean and disinfect	61
Protective goggles	X	Clean and disinfect	61
5 Condensate tank		X Empty	78
6 Surfaces		X Clean	62
7 Not applicable for this device.			
8 Filter		X Remove and clean filter	76
9 Filter		X Remove and clean filter	77
10, 11, 12 Filter (only for devices with Air conditioning)		X Remove and clean filter	78
13 Not applicable for this device.			



NOTE:

If desired, you may set the unit to require that cleaning/disinfection be confirmed after each tanning session by pressing the START/STOP button (when the cool-down time for the main fan has finished).

Information about the setting options can be found in the separate document 'Professional Setup Manager' 1014640-.. which is provided in the Technical Documentation folder.

12.16 How to maintain

12.16.1 Technical modifications

The device has been constructed in accordance with current safety regulations. The illustrations and specifications on these instructions are subject to technical modifications which are required in order to improve the device.

Unauthorized modifications and changes to the device and its control unit are prohibited.

Use only OEM spare parts.

12.16.2 Maintenance plan



NOTE:

The service of the device may only be carried out by a (Level 2) JK Factory Certified Technician.

NOTICE

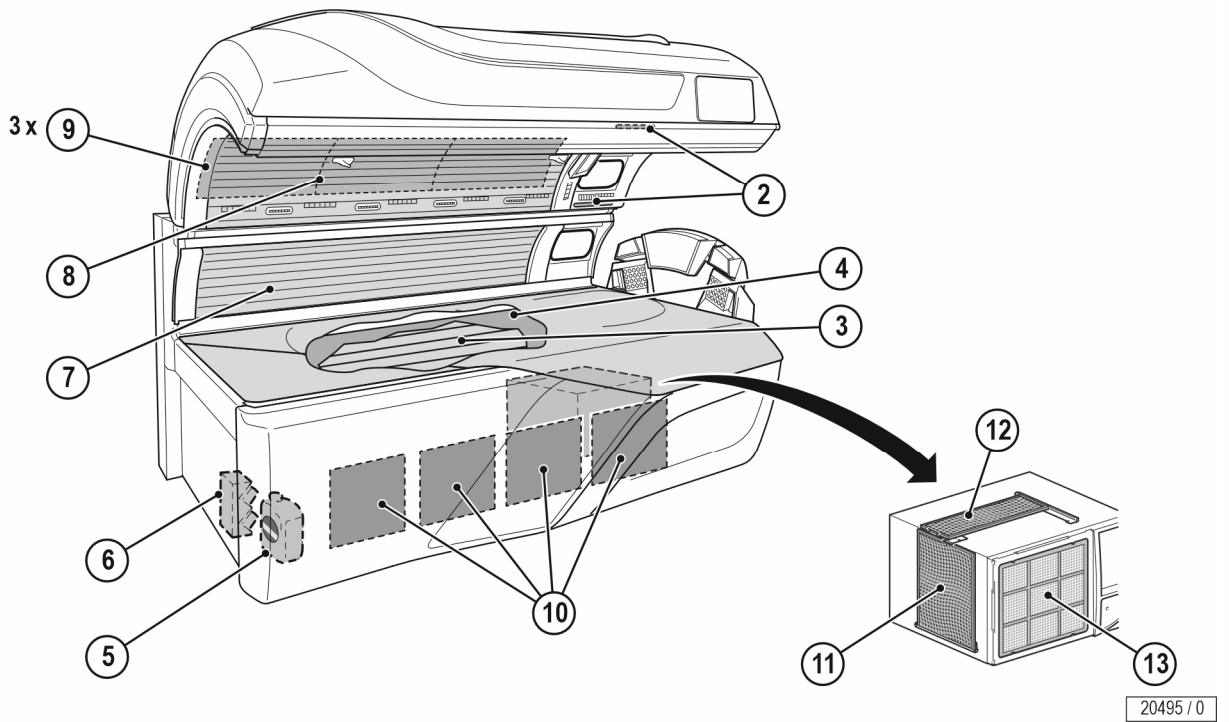
Only use OEM spare parts of the same type! The use of other parts will void the manufacturer's warranty!

Any liability is excluded in case of damage or injury proven to be the result of the use of non-genuine spare parts.

The following maintenance activities shall be performed by the studio operator or a (Level 1) JK Factory Certified Technician.

The following items are considered consumables and should be replaced as noted. Replacement of these components helps ensure continued performance of the device.

Maintenance performed by the studio operator or a JK Factory Certified Technician



Component	Interval	Activity	See page
	When necessary		
	500 Operating hours		
	800 Operating hours		
	3000 Operating hours		
2 Low pressure lamps, facial tanner	X	Replace	71, 74
6 Not applicable for this device.			
5 Not applicable for this device.			
3 Low pressure lamps, base		X Replace	73
7 Low pressure lamps, side section		X Replace	73
8 Low pressure lamps, canopy		X Replace	74
4 Partition (only for devices with Air conditioning)		X Replace	66
9 Filter		X Replace	77
10 Filter		X Replace	76
11 Filter (only for devices with Air conditioning)		X Replace	66
12 Filter (only for devices with Air conditioning)		X Replace	66
13 Filter (only for devices with Air conditioning)	X	Replace	66



Maintenance performed by authorized, trained and qualified staff

⚠ WARNING!



WARNING!

Danger to persons from maintenance work that has not been carried out!

If maintenance work is not carried out, it can lead to material damage or personal injuries!

- Maintenance work may only be carried out by personnel who have been authorized, trained and qualified by JK Products & Services, Inc.!
- The operator is responsible for compliance with the maintenance intervals!

The maintenance work must be carried out in accordance with checklist 1019858-.. by a JK Factory Certified Technician at the manufacturer or by personnel who have been authorized, trained and qualified by the manufacturer.

The correctly carried out maintenance work must be entered and confirmed in checklist 1019858-...

The maintenance work must be carried out at the following intervals:

- Every 1500 operating hours
- Annually or every 2000 operating hours, whichever is sooner.
- After 5000 operating hours
- After 10 years or 20,000 operating hours, whichever is sooner.

Once the age of the device reaches ten (10) years from the date of manufacture, its condition must be assessed by a (level 4) JK Factory Certified Technician before use of the device can be continued.

Failure to have this device assessment performed may result in personal injury or property damage.

Any liability is excluded if use of the device continues ten (10) years after the date of manufacture, without the "condition assessment" having been performed.

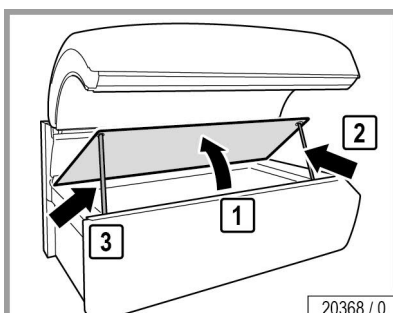
12.16.3 Cleaning and maintenance work preparation

Service-Kit

Not applicable for this device.

Lift up the acrylic panel and remove the partition

- Lift the acrylic glass panel up.
- Lift up the supports and prop the acrylic panel on them.

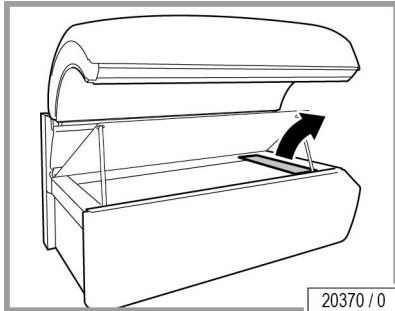


20368 / 0

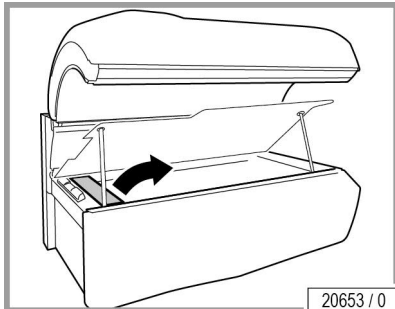
NOTICE

Risk of scratching!

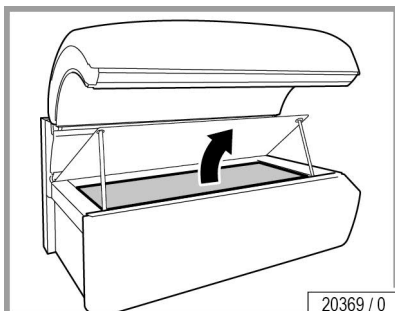
- Use the recesses provided on the acrylic panel.



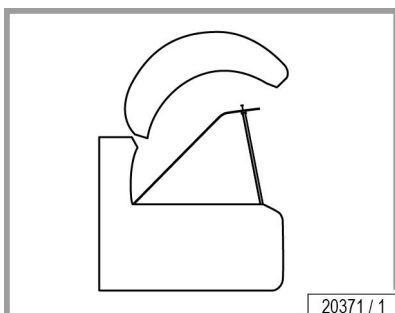
- Remove the lamp covers at the head end.



- Remove the lamp cover at the foot end.



- Remove the partition.

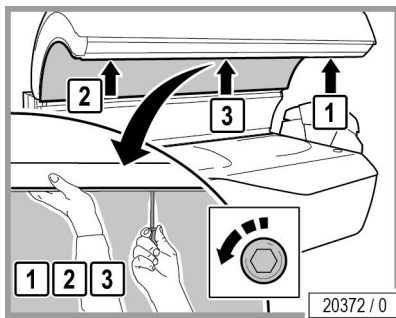


- Fold out the supports.
- Prop the partition on the supports.

The assembly is the same process in reverse order.

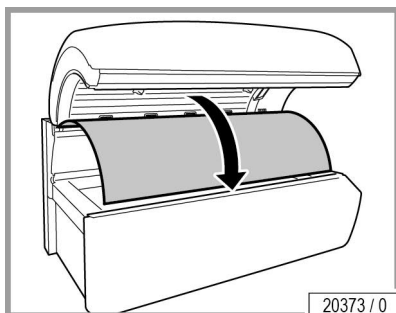
When assembling the device please note:

- Remove fingerprints and other soiling carefully.

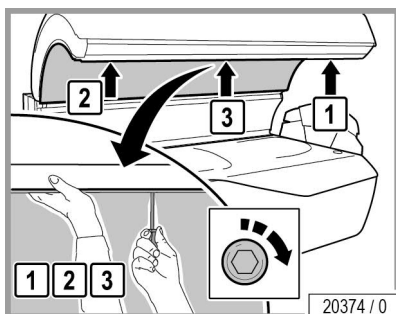


Remove the canopy panel

- Turn the locks through 90°: first the outer locks, then the lock in the middle.
- Support the canopy panel with one hand so that it does not fall down.



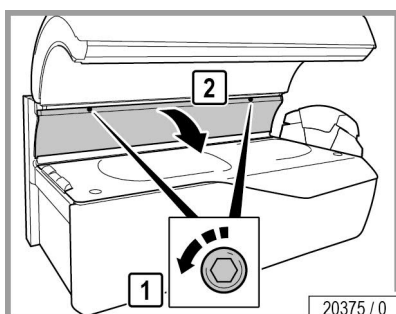
- Carefully lay the panel aside on the scratch protection (service kit).



The assembly is the same process in reverse order.

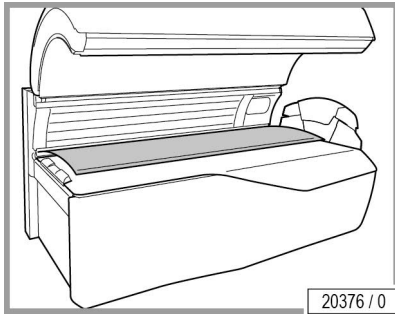
When assembling the device please note:

- Support the canopy panel with one hand so that it does not fall down.
- Re-lock the locks: first the lock in the middle, then the outer locks.

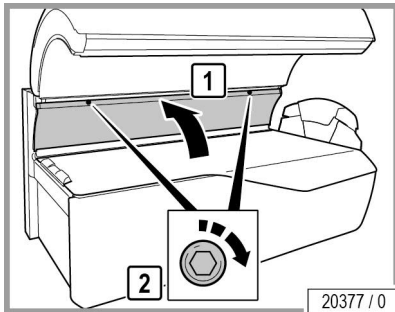


Remove the side section panel

- Turn the locks through 90°.

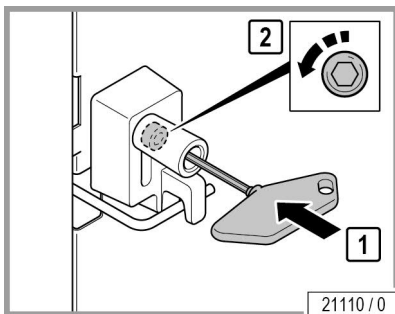


- Open the panel and lay it down carefully.

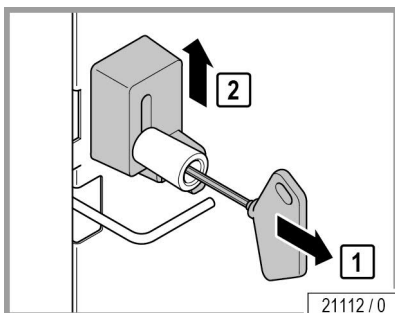


- Re-lock the locks 90°.

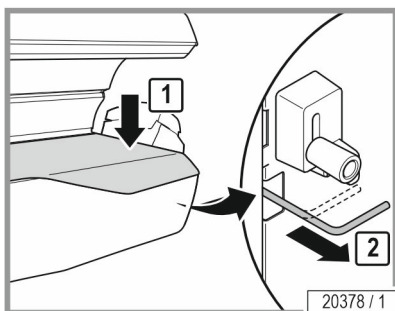
Open the bed base



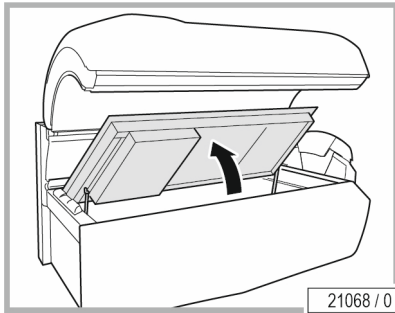
- Undo the screw connection.



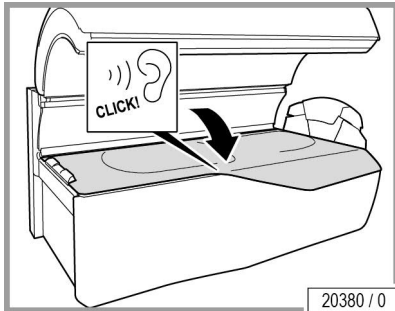
- Push up the lock to access the locking bar.



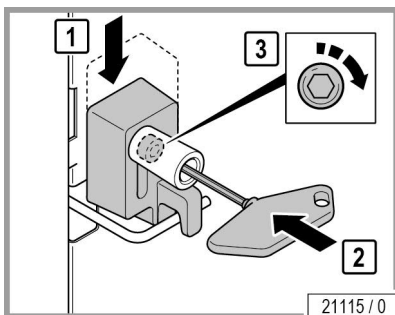
- Press the bed base gently downwards.
- Release the lock at the head end.



- Lift up the bed base.



- Close the bed base. You should hear the bed base click into place.



- Push down the lock.
- Fix the screw connection so that the locking bar is blocked.

12.16.4 Instructions for replacing the lamps



⚠ WARNING!



WARNING!

Danger of burns from hot lamps and device parts!
If the tanning device was operated before being switched off and opened, lamps and housing parts may be hot.

- Before replacing lamps or other spare parts, wait until lamps and metal parts of the device have cooled down sufficiently.



NOTE:

Small quantities of mercury can escape if the bulb/lamp glass breaks! Please comply with the following instructions:

- Immediately disconnect the device from the mains power.
- Children must leave the room immediately.
- Ventilate the room for at least 15 minutes.
- Put on disposable gloves.
- With the window open: Collect the glass shards and escaped mercury in a sealable container.
- Take the container to a collection site for waste lamps.

NFC: Lamp replacement

Not applicable for this device.

Low-pressure lamps

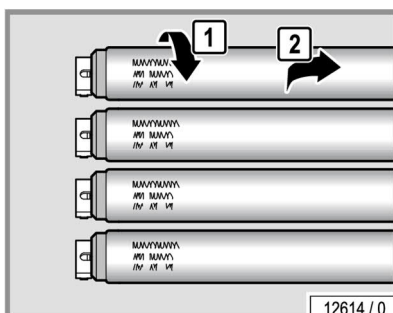
⚠ WARNING!



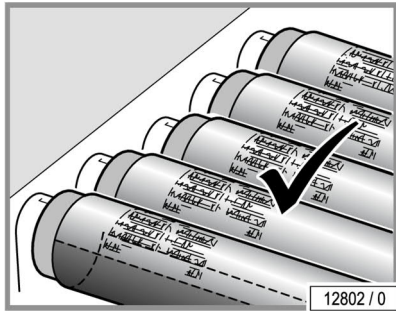
WARNING!

Danger of burns from hot lamps and device parts!
If the tanning device was operated before being switched off and opened, lamps and housing parts may be hot.

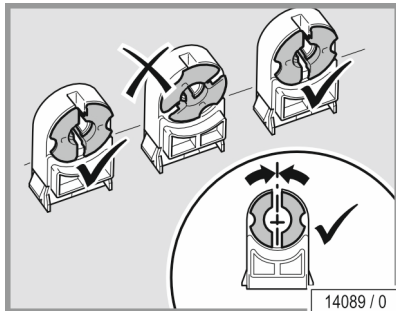
- Before replacing lamps or other spare parts, wait until lamps and metal parts of the device have cooled down sufficiently.



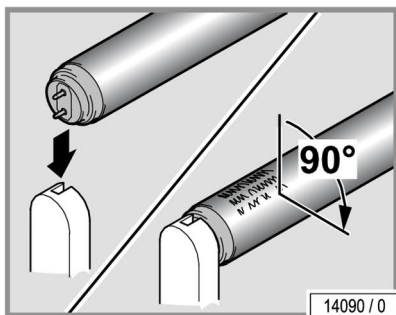
- Replace faulty low pressure lamps immediately.
- Always replace the entire set of lamps after the specified operating time.
- Turn 90° and carefully remove from the socket.



- Low-pressure lamps possess a reflector which directs the light outwards. The lamps must be mounted in such a way that the rear side of the reflector is located on the inside of the unit.



- Push the pins vertically into the socket from above.



- Turn the lamp 90°. The lettering must be oriented towards the outside (i.e. towards the tanning room or towards the user).

Makrolon tubes

Not applicable for this device.

Starter

Not applicable for this device.

High pressure lamps and filter panels

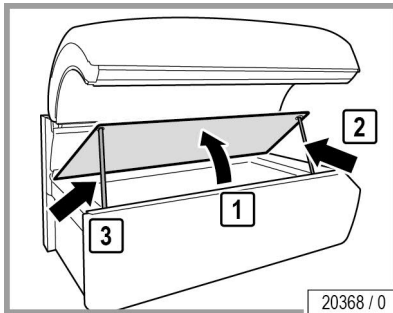
Not applicable for this device.

12.16.5 Cleaning and disinfection of the sensor

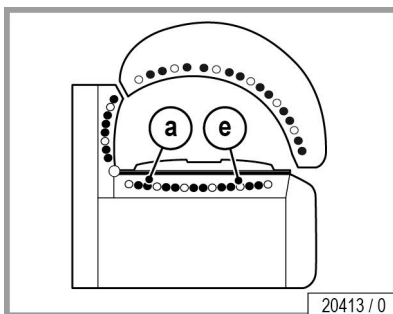
Not applicable for this device.



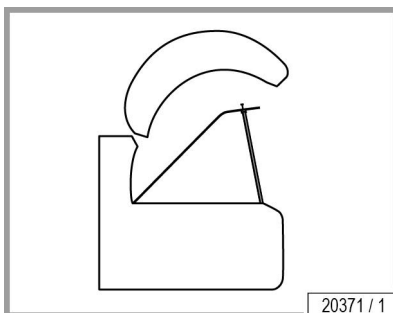
12.16.6 Cleaning or replacing lamps in the base



- Lift up the acrylic panel and then remove the lamp covers and the partition: see page 66.



- Please maintain the correct order of the GENESIS HLT HYBRID LIGHT Technology 160W low pressure lamps and GENESIS PLT PURE LIGHT Technology 160W low pressure lamps
 e: GENESIS HLT HYBRID LIGHT Technology 160W low pressure lamps
 a: GENESIS PLT PURE LIGHT Technology 160W low pressure lamps

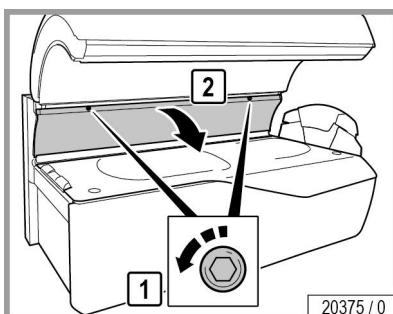


The assembly is the same process in reverse order.

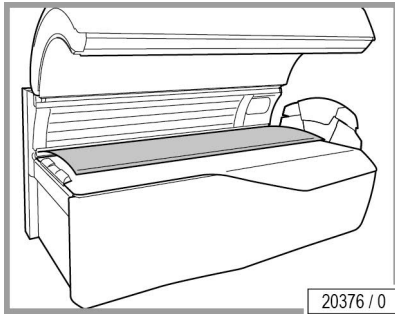
When assembling the device please note:

- You must ensure that the recesses are at the foot end when you fit the partition.
- Lift the acrylic up slightly and then close it.

12.16.7 Cleaning or replacing the lamps in the side section

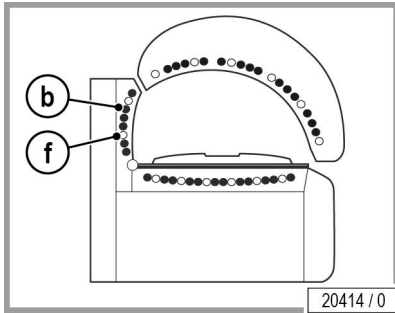


- Removing the side section panel: see page 68.

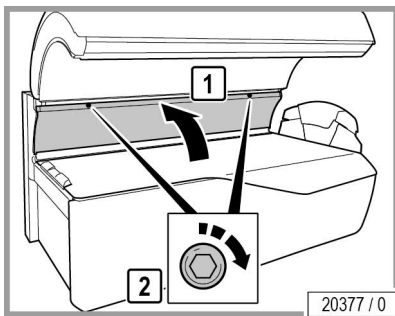


- Remove the lamp cover.

Replacing the lamps:
Low-pressure lamps: see page 71.



- Please maintain the correct order of the GENESIS HLT HYBRID LIGHT Technology 160W low pressure lamps and GENESIS PLT PURE LIGHT Technology 160W low pressure lamps
f: GENESIS HLT HYBRID LIGHT Technology 160W low pressure lamps
b: GENESIS PLT PURE LIGHT Technology 160W low pressure lamps



When assembling the device please note:

- Replace and retighten the screws.

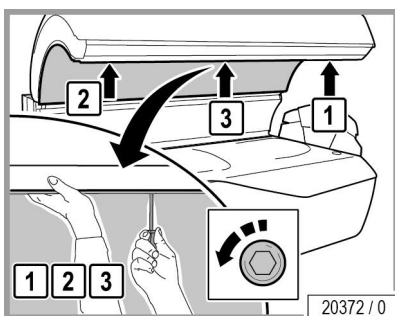
12.16.8 Cleaning or replacing lamps in the canopy

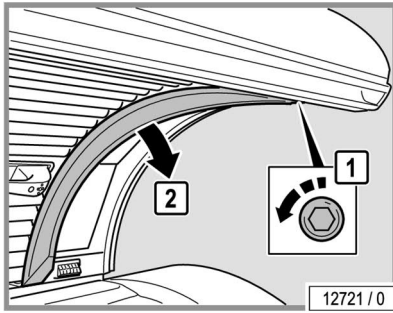
- Removing the canopy panel: see page 68.

The following components listed in the maintenance plan are fitted in the canopy:

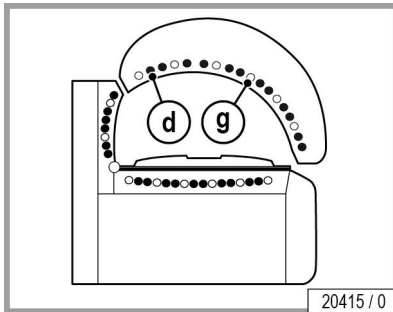
- Low pressure lamps 71 in (1.80 m)
- Low pressure lamps 12 3/16 in (0.31 m)

Replacing the lamps:
Low-pressure lamps: see page 71.

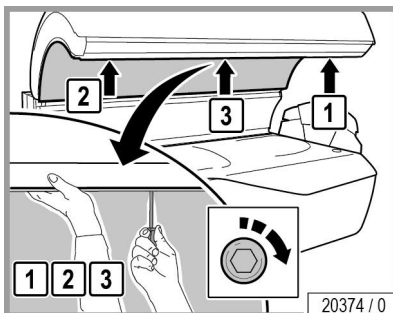




- Remove the screws and then remove the lamp cover.



- Please maintain the correct order of the GENESIS HLT HYBRID LIGHT Technology 160W low pressure lamps and GENESIS PLT PURE LIGHT Technology 160W low pressure lamps
 d: GENESIS HLT HYBRID LIGHT Technology 160W low pressure lamps
 g: GENESIS PLT PURE LIGHT Technology 160W low pressure lamps



- The assembly is the same process in reverse order.
 When assembling the device please note:
- Support the canopy panel with one hand so that it does not fall down.
 - Re-lock the locks: first the lock in the middle, then the outer locks.

12.16.9 Cleaning or replacing the lamps and filter panels in the shoulder tanner

Not applicable for this device.

12.16.10 Cleaning or replacing the interior lights

Not applicable for this device.

12.16.11 Cleaning or replacing the canopy accent lighting

Not applicable for this device.

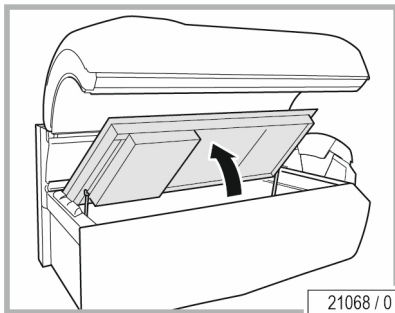
12.16.12 Cleaning or replacing the front panel accent lighting

Not applicable for this device.

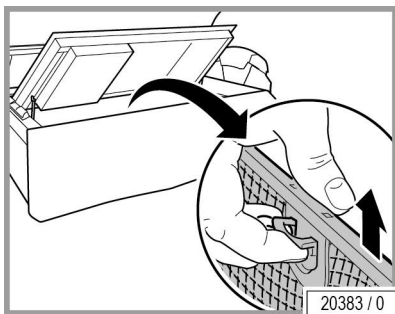


12.16.13 Cleaning the filters in the base

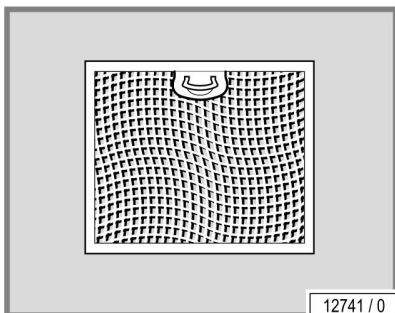
- Opening the bed base: see page 69.



- Remove the filters.



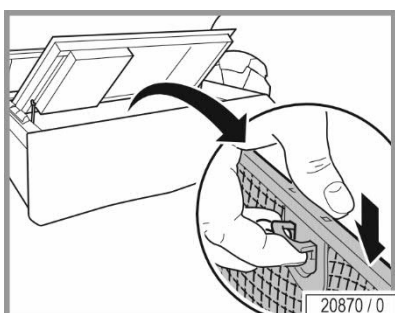
- Clean the filters wet or dry.
Dry cleaning: Vacuum cleaner (depending on the degree of soiling)
Wet cleaning: Use water and detergent or put in a dish-washer



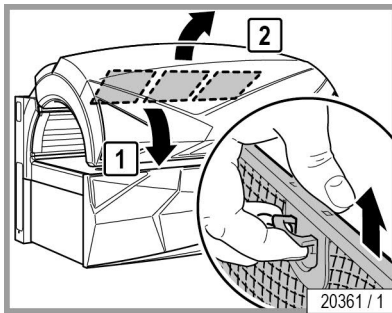
NOTICE!

The device may be damaged by moisture!
The cleaned filters must be dry before they are replaced.

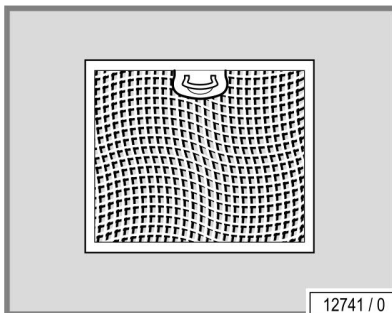
- Reinstall the cleaned and dried filters.
- Close the bed base. You should hear the bed base click into place.



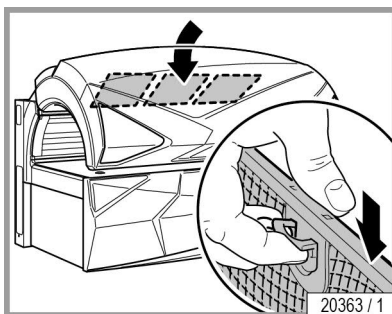
12.16.14 Cleaning the canopy filter



- If necessary, cover the canopy in order to prevent the paint from being scratched.
- Remove the filter mats fitted at the back of the canopy.



- Dry or moist clean the filter mats or replace with new ones.
- Dry cleaning: Vacuum cleaner (depending on the degree of soiling)
Moist cleaning: Water and detergent
- Do not clean in the dish-washer!



NOTICE!

The device may be damaged by moisture!
The cleaned filters must be dry before they are replaced.

- Reinstall the cleaned and dried filters.

12.16.15 Cleaning the filter mats in shoulder tanner

Not applicable for this device.

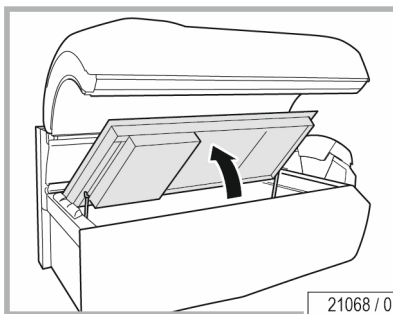


12.16.16 Air conditioning (Option): Empty the condensation tank and clean the filter

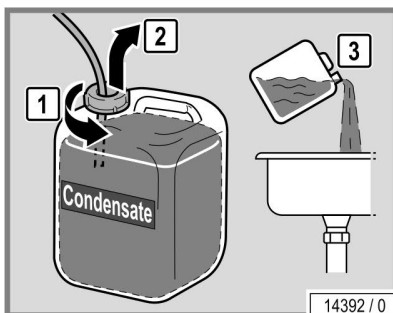
NOTICE

Damage to the device through soiled filters and cooling fins!
Regularly check the filter grill and cooling fins on the Air conditioning system and clean if necessary.

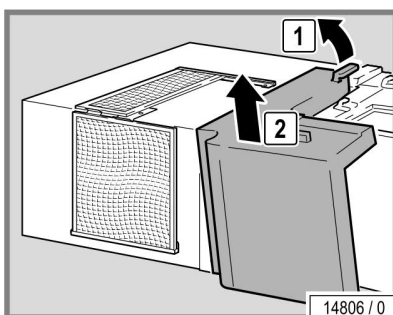
We recommend using the specially manufactured fin comb, art-no. 15720470, to clean the cooling fins.



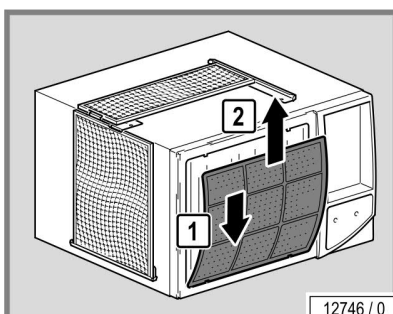
- Opening the bed base: see page 69.



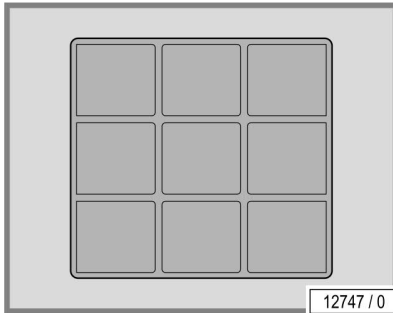
- Bring the condensation tank forwards.
- Disconnect the hose on the condensation tank.
- Empty the condensation tank.



- Remove the cover.



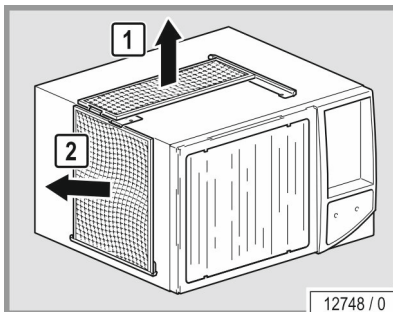
- Remove the filter from the holder.



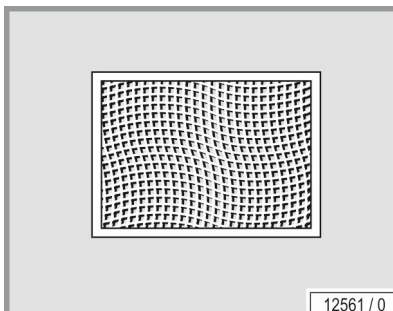
- Clean the filter moist or dry:

Dry cleaning: Vacuum cleaner (depending on the degree of soiling)
 Moist cleaning: Water and detergent

- Do not clean in the dish-washer!

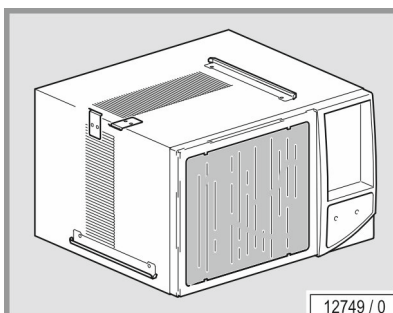


- Remove the filter from the holder.

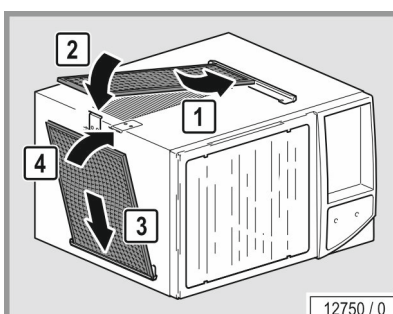


- Clean the filters wet or dry.

Dry cleaning: Vacuum cleaner (depending on the degree of soiling)
 Wet cleaning: Use water and detergent or put in a dish-washer



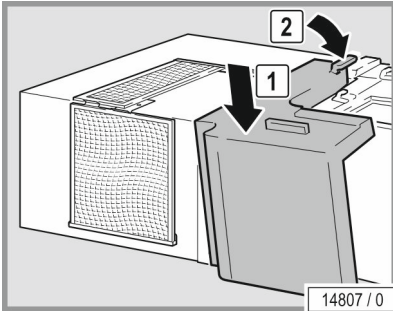
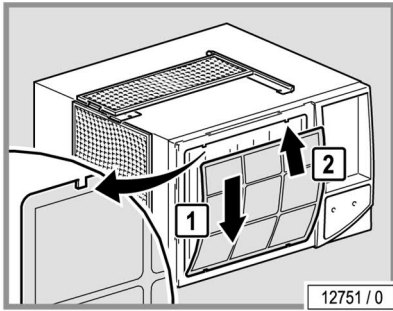
- Use a fin comb to clean the Air conditioning's dirty cooling fins.



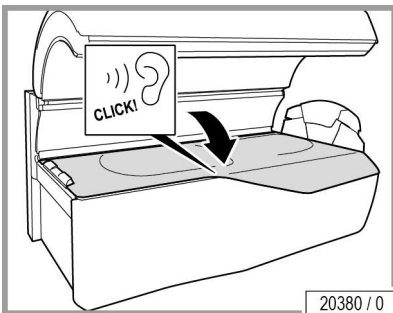
NOTICE!

The device may be damaged by moisture!
 The cleaned filters must be dry before they are replaced.

- Reinstall the cleaned and dried filters.
- Ensure that the filters are correctly positioned in the holder.



- Attach the cover.



- Connect the condensation tank to the hose.
- Replace the condensation tank.
- Close the bed base. You should hear the bed base click into place.

12.16.17 AQUA / AROMA SYSTEM maintenance (Option)

Not applicable for this device.

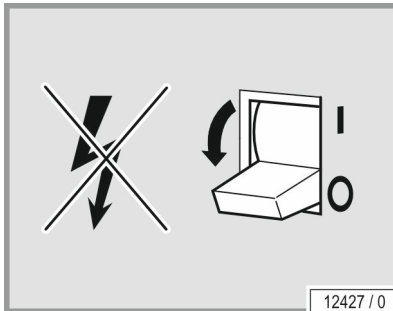
12.16.18 Cleaning the air intake openings

Not applicable for this device.

12.17 How to store the device



12.17.1 Decommissioning



The device must be disconnected from the power supply in order to temporarily or permanently decommission it.

You must abide by the legal disposal requirements when permanently decommissioning the device.

12.17.2 Storage

Store the devices in a dry location with a stable temperature. Once the device has cooled off, pack it in plastic wrapping to protect it against scratches.

- Storage temperature: between 5 °F (-15 °C) and 140 °F (+60 °C)
- Air pressure: between 794 hPa and 1060 hPa
- Relative humidity: between 30 % and 70 %

12.17.3 Disposal

Environmental regulations – disposal of lamps and batteries

Lamps contain fluorescent materials and other waste containing mercury. Batteries contain heavy metal compounds.

Dispose of lamps and batteries according to the national waste disposal laws and in accordance with the municipal waste regulations.

Packaging

All packaging consists of 100 % recyclable materials.

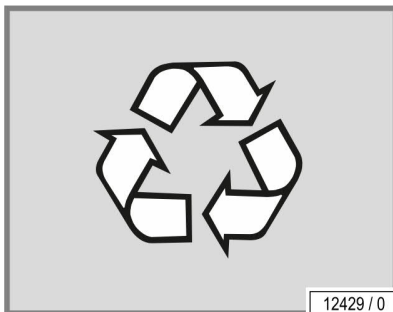
Disposal of old devices

The device has been manufactured using recyclable materials.

The JK Products & Services will provide you with information on the content or potential hazards of the materials used.

Disposal of consumable supplies

Dispose of consumable supplies according to the national waste disposal laws and in accordance with the municipal waste regulations.



13 What to do when things go wrong



WARNING!



Follow instructions!

Failure to use protective eyewear may result in severe burns or other eye injury. If discomfort develops, discontinue use and consult a physician.

- A person who does not tan in the sun most likely will not tan from the use of this device. Persons with very sensitive skins (skin type I) must not use the unit, as with this skin type tanning is impossible without damaging the skin (e.g. sunburn).
- Individuals with acute sunburn, individuals who have had or have skin cancer, or individuals who are at increased risk of skin cancer, must not use the system.
- UV devices must not be used without taking medical advice if unexpected effects, such as itching, occur within 48 hours of the first session.
- The tanning device must never be used if the timer is defective!
- UV light from the sun or UV systems can cause injuries to the skin or eyes. This biological effect is dependent on the sensitivity of the individual's skin and on the type and amount of UV light.
- As with natural sunlight, overexposure can cause eye and skin injury, sunburn, and allergic reactions.
- Repeated exposure may cause premature aging of the skin and skin cancer.
- Medications (taken internally or otherwise) or cosmetics applied to the skin, may increase sensitivity to ultraviolet light.
- A person having a history of skin problems should consult a physician before use.

-
- Seek medical advice if in doubt!



NOTE:

Occasionally, persons using the tanning device will experience a slight reddening of the skin – usually in small patches – after the second or third session. This redness is often accompanied by an itching sensation. This may be nothing more than a very limited heat 'rash' caused by heat from the lamps within the device. It should go away within approximately 24 hours and should not reappear. This rash can be lessened or prevented by applying moisturizer lotion to the affected area after the tanning session is completed.



- Follow instructions.
- Increasing tanning also requires an extension of the exposure time (= radiation time) or after a certain degree of tanning has been achieved, a further intensification is not possible. However, the radiation time may not be extended as desired within the scope of the permissible radiation doses! Therefore, only a certain degree of final tanning dependent on the skin type can be achieved without endangering your health.
- Inform users about proper tanning.



13.1 Troubleshooting

Software and device malfunctions are indicated by error codes, e.g. #0701.

These error codes are output to the display to simplify troubleshooting:

- If a fault occurs, the error code flashes on the display.
- If several errors occur, the error messages are displayed alternately.
- Error elimination is acknowledged by pressing the START/STOP button.
- If the error cannot be cleared, contact Customer Service (see page 2) or your local service provider

More detailed information regarding the error description and solutions is available in the document 'Error codes' #1028224-..., which you find in the Technical Documentation folder.

For authorized, trained and qualified staff:

For further technical description, please contact Customer Service (see page 2).



NOTE:

As a result of EMC phenomena (high-frequency irradiation and surge) the audio system may malfunction.

This can be rectified by switching off the power supply and switching it back on again (power on reset).

WARNING!



WARNING!

Danger of skin injuries and skin diseases!

- The tanning device must never be used when the timer is defective!

13.1.1 REMOTE SERVICE

With the REMOTE SERVICE feature, technicians can quickly diagnose and resolve issues remotely, minimizing downtime. This feature also provides maintenance information for upcoming lamp changes and service needs. This remote service feature can reduce service time considerably and, in some circumstances, can even avoid service work completely.

More detailed information regarding the REMOTE SERVICE description is available in the document 'REMOTE SERVICE' #1028356-...Please contact the customer service department for more information - see page 2.

14 Where you can find out more

If you have any questions, please contact Customer Service
(see page 2).



15 How we studied this device



The system is built to the state of the art and the applicable safety regulations.

We reserve the right to make technical changes which are necessary to improve the system or a system component even if they deviate from pictures and information in these instructions.

16 Appendix



16.1 Model-No.: JK 164 / 42-3 TLT AC / JK 164 / 42-3 TLT: EMC information

16.1.1 Table 201: Guidelines and manufacturer's declaration – Electromagnetic emissions

The tanning system has been designed for use in the electromagnetic environment specified below. The device operator must ensure that it is used in such an environment.

Emission measurements	Conformity	Electromagnetic environment – Guidelines
HF emissions as per CISPR 11	Group 1	Model-No.: JK 164 / 42-3 TLT AC / JK 164 / 42-3 TLT uses HF power mostly for internal functions and Bluetooth®. Therefore the HF emissions are very low and it is highly unlikely that it will cause any interference to adjacent electronic equipment.
HF emissions as per CISPR 11	Class B	Model-No.: JK 164 / 42-3 TLT AC / JK 164 / 42-3 TLT has been designed for use in all devices, including those in residential areas, and it has been determined that it can be used for residential purposes as soon as it is connected up to a public mains supply that also supplies buildings.



16.1.2 Table 202: Guidelines and manufacturer's declaration – Electromagnetic interference

The tanning system has been designed for use in the electromagnetic environment specified below. The device operator must ensure that it is used in such an environment.

Interference immunity tests	IEC 60601 - Test level	Defined level	Electromagnetic environment – Guidelines
Discharging static electricity (ESD) IEC 61000-4-2	±8 kV contact discharge ±2 kV air discharge ±4 kV air discharge ±8 kV air discharge ±15 kV air discharge	±8 kV contact discharge ±2 kV air discharge ±4 kV air discharge ±8 kV air discharge ±15 kV air discharge	–
Fast transient electrical noise / bursts IEC 61000-4-4	±2 kV for mains supplies	±2 kV for mains supplies	–
Surges IEC 61000-4-5	±1 kV series mode voltage ±2 kV common mode voltage	±1 kV series mode voltage ±2 kV common mode voltage	–
Magnetic field radiated by supply frequency (50/60 Hz) IEC 61000-4-8	30 A/m	30 A/m	–
Voltage drops, Short interruptions and supply voltage IEC 61000-4-11	<5% U_T (>95% drop in U_T) for 5 s Only this test is performed, because the device used 2 or 3 phases and has more than 16 A / phase.	<5% U_T (>95% drop in U_T) for 5 s	–

Note: U_T is the mains alternating voltage used for the test levels.



16.1.3 Table 204: Guidelines and manufacturer's declaration – Electromagnetic interference

The tanning system has been designed for use in the electromagnetic environment specified below. The device operator must ensure that it is used in such an environment.

Interference immunity tests	IEC 60601 - Test level	Defined level	Electromagnetic environment – Guidelines
Conducted HF noise IEC 61000-4-6	3 V rms 150 kHz to 80 MHz outside the ISM band, 6 V RMS in the ISM and amateur radio bands Modulation: 80% AM at 1kHz	3 V rms 150 kHz to 80 MHz outside the ISM band, 6 V RMS in the ISM and amateur radio bands Modulation: 80% AM at 1kHz	Portable and mobile radios are not to be used at shorter distances to the Model-No.: JK 164 / 42-3 TLT AC / JK 164 / 42-3 TLT and its cables other than the recommended safe distance, which has been calculated according to the transmitting frequency are made. Recommended safe distance: $d = 1.2\sqrt{P}$ $d = 1.2\sqrt{P}$ 80 MHz to 800 MHz $d = 2.3\sqrt{P}$ 800 MHz to 2,7 GHz P is the transmitter's maximum output power (nominal rating) in Watts (W) according to the details provided by the manufacturer of the transmitter and the recommended safe distance is given in metres (m). The field strength of the stationary radio transmitter is for all frequencies ^b in accordance with tests that were carried out onsite ^a less than the determined level. Interference is possible in the immediate surrounding of equipment that carry the following symbols.
Radiated HF noise IEC 61000-4-3	10 V/m 80 MHz to 2,7GHz Modulation: 80% AM at 1kHz 27 V/m 385 MHz Modulation: Pulse Modulation: 18 Hz 28 V/m 450 MHz Modulation: FM + 5 Hz deviation: 1 kHz sine 9 V/m 710, 745, 780 MHz Modulation: Pulse Modulation: 217 Hz 28 V/m 810, 870, 930 MHz Modulation: Pulse Modulation: 18 Hz 28 V/m 1720, 1845 MHz Modulation: Pulse Modulation: 217 Hz 28 V/m 1970, 2450 MHz Modulation: Pulse Modulation: 217 Hz 9 V/m 5240, 5500, 5785 MHz Modulation: Pulse Modulation: 217 Hz	10 V/m 80 MHz to 2,7GHz Modulation: 80% AM at 1kHz 27 V/m 385 MHz Modulation: Pulse Modulation: 18 Hz 28 V/m 450 MHz Modulation: FM + 5 Hz deviation: 1 kHz sine 9 V/m 710, 745, 780 MHz Modulation: Pulse Modulation: 217 Hz 28 V/m 810, 870, 930 MHz Modulation: Pulse Modulation: 18 Hz 28 V/m 1720, 1845 MHz Modulation: Pulse Modulation: 217 Hz 28 V/m 1970, 2450 MHz Modulation: Pulse Modulation: 217 Hz 9 V/m 5240, 5500, 5785 MHz Modulation: Pulse Modulation: 217 Hz	



Comment 1: The higher value applies to 80 MHz und 800 MHz.

Comment 2: These guidelines might not apply to all situations. The propagation of electromagnetic waves is affected by absorption and reflexes caused by buildings, objects and people.

a The field strength of a stationary transmitter e.g. standard cell phone stations (mobile / cordless phones) and public mobile radio services, amateur stations, MW and UHF radio and TV transmitters) cannot be precisely determined for theoretical reasons. It is recommended that an onsite test should be carried out in order to determine the electromagnetic environment caused by stationary HF transmitters. If the field strength of the massage device determined at the installation site exceeds the defined HF level listed above then the device must be monitored with regard to its normal operation. If any abnormal characteristics are recorded then it will be necessary to introduce additional measures, such as reorientation or converting the device.

b The field strength must be less than 3 V/m over the frequency ranges from 150 kHz to 80 MHz.



16.1.4 Table 206: Recommended safe distances between portable and mobile HF communications equipment and Model-No.: JK 164 / 42-3 TLT AC / JK 164 / 42-3 TLT

Model-No.: JK 164 / 42-3 TLT AC / JK 164 / 42-3 TLT has been designed for use in an electromagnetic environment in which the radiated HF interference is controlled. The operator of the device can help to reduce electromagnetic interference by maintaining a safe distance between the portable and mobile HF communication devices (transmitters) and the device itself as recommended below with regard to the communication device's maximum output power.

Nominal transmitter power (W)	Safe distance with regard to the transmitting frequency (m)		
	150 kHz to 80 MHz $d = 1.2\sqrt{P}$	80 MHz to 800 MHz $d = 1.2\sqrt{P}$	800 MHz to 2.7 GHz $d = 2.3\sqrt{P}$
0,01	0,12	0,12	0,23
10	3,8	3,8	7,3
1	1,2	1,2	2,3
0,1	0,38	0,38	0,73
100	12	12	23

The recommended safe distance (d) in metres (m) can be determined by using the equation that applies to the transmitters frequency in the case of transmitters where their nominal power is not listed above, whereby 'P' is the nominal transmitter power in Watts (W) according to the details supplied by the manufacturer of the transmitter.

Comment 1: The higher value applies to 80 MHz und 800 MHz.

Comment 2: The propagation of electromagnetic waves is affected by absorption and reflexes caused by buildings, objects and people.

EM-Emission inside device

5 Hz – 2 kHz	max. 2.1 μ T (1.5 kV/m)
2 kHz – 400 kHz	max. 3.3 μ T (1.3 kV/m)
9 kHz – 30 MHz	max. 35 db μ V/m (56 μ V/m)
30 MHz – 1 GHz	max. 95 db μ V/m (56 μ V/m)
1 GHz – 6 GHz	max. 90 db μ V/m (32 μ V/m)

See also page 36.

Influence of electromagnetic disturbances

If the essential performance features (see 3.10.1) are influenced by electromagnetic interferences or do not exist at all, there is no risk for the user.

17 JK-Products, Inc. – Limited Warranty



JK-Products, Inc. warrants its products to be free from defects in materials and workmanship under intended normal use as described in the unit's Operation and Installation Instruction, for a period of three (3) years from date of sale.

This Limited Warranty applies only to the original purchaser of the equipment through JK-Products, Inc. or its authorized dealer or distributor, and is not transferable.

Global Service USA obligations under this warranty are limited to repair or replacement of any defective part without charge for that part to the original purchaser, with the following exceptions:

A Fluorescent lamps are warranted against defects for a period of thirty (30) days from date of sale.

B Only parts obtained through JK-Products, Inc., its authorized dealers or distributors may be used. Transportation costs for parts shipped to the consumer and the return of defective parts to Global Service USA are not included.

C Labor will be furnished without charge for ninety (90) days from date of purchase only. All labor and related charges must be authorized by Global Service USA prior to start of repairs, and must coincide with Global Service USA established rates and time allotment policy.

D Acrylic: Refer to Manufacturer's Acrylic Warranty Policy. It is imperative that the original customer completes and returns the enclosed warranty card within 10 days after purchase to insure valid registration and coverage for potential claims.

E Items considered to be wear items such as rubber foot mats, buttons, or other items which the user comes into contact with during normal operation of the device, are warranted for a period of 30 days from the date of purchase.

If the warranty card is not registered, proof of purchase from JK-Products, Inc. or its authorized dealer or distributor will be required prior to any consideration on warranty claims. This could result in service delays.

This warranty is extended to the individual or legal entity, whose name appears on the warranty registration card filed with Global Service USA, or whose name appears on the original sale document and may not be transferred to any other individual or legal entity.

This warranty does not apply to any failure of the product, or any parts of the product due to alterations, modifications, misuse, abuse, accident, improper maintenance, improper installation, acts of God or if the serial number on the product has been removed, altered or defaced. Adequate packaging must be used for returned goods to prevent freight damage.

There are no warranties which extend beyond the description on the face hereof. There is no express or implied warranty of fitness of merchantability.

The remedies provided in this limited warranty are the exclusive remedies provided to the purchaser by Global Service USA and are provided in substitution of all other remedies. Consequential and incidental damages are excluded.

No person, firm or corporation is authorized to obligate JK-Products, Inc. for any liability in connection with the sale or use of these goods.



17.1 Limited Acrylic Warranty

JK Products, Inc. warrants its acrylic sheets to be free from defects in material and workmanship, under intended normal use, for a period of one (1) year from date of sale of the tanning bed or 1,200 hours of operation whichever comes first. Due to the tanning lotions, cosmetics, disinfectant and improper cleaners used on tanning surfaces that cannot be controlled by JK Products, Inc., after the first thirty (30) days of warranty period acrylic will be subject to a prorated cost to the consumer.

JK Products, Inc. obligations do not include transportation charges on replacement acrylic.

JK Products, Inc. assumes no liability for the cost of removing defective sheets or installing replacement sheets, or for damage to persons or property.

To make a claim, contact an authorized dealer or distributor of JK-Products, Inc. or Global Service USA with the model number, the serial number, and the date of purchase of the bed in which the acrylic will be used.

There are no warranties which extend beyond the description on the face hereof. There is no express or implied warranty of fitness or merchantability.

The remedies provided in this limited warranty are the exclusive remedies provided to the purchaser by Global Service USA and are provided in substitution of all other remedies. Consequential and incidental damages are excluded.

JK Products & Services, Inc.
411 West Washington Avenue
Suite B
Jonesboro, Arkansas 72401
Phone: 800-445-0624
Fax: 870-935-9046
E-mail: support@jkamerica.com
<http://jkproducts.us/service>

17.2 Warranty Claims



17.2.1 Policy & Procedures

1. When to file a Warranty Claim:

In the event that your tanning system is not functioning properly under intended normal use as described in the unit's Operation and Instruction Manual, you may then have established cause to file a Warranty Claim.



NOTE:

Both the tanning system and legal registered owner must meet the criteria established under JK Products, Inc. Limited Warranty as described in this manual before any Warranty Claim will be considered.

2. Where to call to place a Warranty Claim:

JK-Products, Inc. is supported nationwide by an extensive dealer/distributor network through whom the majority of our units are sold. These dealers/distributors are required by contract to stock sufficient parts to meet the various warranty and nonwarranty needs of their customers.

Therefore, in order for you to properly file a Warranty Claim, you must locate the name and phone number of the dealer/distributor through whom you purchased your unit. Normally this information can be easily located either on your paid invoice or other proof of purchase documentation that you received when taking delivery of the unit.

Next, notify the dealer/distributor of the serial number, model number and date unit was purchased. This will initiate the Warranty Claim process.

Upon determination of the problem, your dealer/distributor can then supply you with the part(s) and proper instructions to return your unit to working order.

Each dealer/distributor has their own internal procedure for handling Warranty Claims and credits.



NOTE:

JK-Products, Inc., the manufacturer, does not involve itself in the direct handling of a Warranty Claim except where mitigating circumstances apply and where required by law.



NOTE:

If a part returned to Global Service USA proves to be operational and not defective, or if product code numbers on part do not correspond with individual unit date on file with Global Service USA, then a 30% restocking fee will be charged in addition to the retail purchase price of part.

Acknowledgment of the Agreement is not required for acceptance of the foregoing stipulations.



You must comply to the instructions and warnings under chapter:

- 4.1 Intended use
- 5.1 Prohibited usage
- 6. What you must do to avoid serious harm

Any other use shall be considered improper. The manufacturer cannot be held liable for damage or injuries resulting from misuse. The operator bears the sole risk for this.

The proper use also includes compliance with the manufacturer’s instructions, operating and maintenance conditions. This device may only be operated, maintained and repaired by persons familiar with these tasks and who are aware of the dangers involved.

17.2.2 Labor Warranty Claim/Credit Procedures


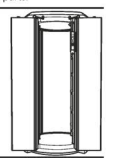
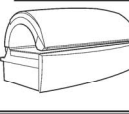
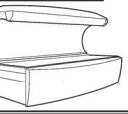
Global Service USA furnishes labor without charge for a period of 90 days from date of purchase. All labor and related charges must be authorized by Global Service USA prior to start of repairs, and must coincide with Global Service USA established rates and time allotment policy.

Please contact our Service Department for authorization and billing procedures.

17.2.3 Quality inspection and acceptance form

The form can be found in the separate document ‘Quality inspection and acceptance form’ (#1014113-..) which is provided in the Technical Documentation folder.

Tear here to remove page

<p>Quality Inspection and Acceptance Form. Both parties must sign the form in order for it to be valid. Upon completion, email the signed form to JK Products & Services at Questions? (800) 643-0086 QIF@JKAMERICA.COM</p> <p>Club/Salon Name: _____ Contact: _____ Street Address: _____ City: _____ State: _____ Zip: _____ Phone Number: _____ Install Date: _____ Service Provider: _____</p> <p>Select the box next to the appropriate subsystem indicating the system is installed and functioning properly. If the device is not equipped with a particular subsystem draw a line through it. Lamps: <input type="checkbox"/> Body Bench <input type="checkbox"/> Body Canopy <input type="checkbox"/> Facial (HP) <input type="checkbox"/> Facial (Spaghetti) <input type="checkbox"/> Shoulder Tanner <input type="checkbox"/> Decor Options: <input type="checkbox"/> Skin Sensor <input type="checkbox"/> Air Conditioning <input type="checkbox"/> Aqua Fresh <input type="checkbox"/> Aroma <input type="checkbox"/> Audio System</p> <p>Select the box next to the appropriate subsystem indicating the system has been setup and adjusted. If the device is not equipped with the subsystem draw a line through it. <input type="checkbox"/> Lifting Mechanism <input type="checkbox"/> Timer Network</p> <p>Select the box next to the operating feature and maintenance functions that have been explained to the customer or salon representative. <input type="checkbox"/> Basic Operation <input type="checkbox"/> Accessing lamps <input type="checkbox"/> Air Filter Location <input type="checkbox"/> Feature Operation <input type="checkbox"/> The Operating Instructions, Service Tool, and Eye Protection have been provided <input type="checkbox"/> The device has been installed, electrically connected and fully operational. <input type="checkbox"/> The device has been installed, but not electrically connected all systems appear to be operational.</p> <p>Signing this form confirms the device was installed and tested both electrically and functionally by the Service Provider, any damage is indicated in the section to the right, and the selections above have been completed, explained, and understood by all. Service Provider Representative Print Name _____ Signature _____ Date _____ Salon/Club Representative Print Name _____ Signature _____ Date _____</p>	<p>Make/Model: _____ Please indicate here if device rebranded and labels applied. <input type="checkbox"/> Serial Number: _____ Please indicate (by marking an X) on the applicable illustration any damage or improper fitting decor parts.</p> <div style="display: flex; justify-content: space-around;">   </div> <div style="display: flex; justify-content: space-around;">   </div> <div style="border: 1px solid black; padding: 5px; text-align: center; width: 100px; margin: 0 auto;"> <p style="font-size: 2em; margin: 0;">HERE:</p> </div> <p style="writing-mode: vertical-rl; transform: rotate(180deg); font-size: 0.8em; margin-top: 10px;">Affix Name Plate from Manual:</p> <p>Acceptance testing: Equipment used: _____ Serial Number: _____ Calibration Due: _____ High Voltage (Hypot) _____ Ground Bond _____ Ammeter _____ Voltmeter _____ High Voltage (Hypot) test: 1.25 kW AC / 2.5 kW DC <input type="checkbox"/> Pass <input type="checkbox"/> Fail Ground Bond: Less than 0.1 Ohms <input type="checkbox"/> Pass <input type="checkbox"/> Fail Amperage: Line 1 _____ Amperage: Line 2 _____ Amperage: Line 3 _____ Voltage: L1 to L2 _____ Voltage: L1 to L3 _____ Voltage: L2 to L3 _____</p> <p>Comments: _____ _____ _____</p>
---	---

17.3 Limited Lifetime Warranty



Global Service USA warrants specific individual components of the tanning system against defects in materials and workmanship for the life of the product. Coverage is limited to units purchased after November 1, 1994.

This warranty is restricted to the following components only:

- Steel Back Panels
- Structural Steel Frame Components
- Exterior Steel Body.



NOTE:

Components are warranted on an individual basis and not as they may affect the complete product.

Warranty coverage does not include cosmetic abnormalities such as scratches, nicks, dents, rust, oxidation of paint or other cosmetic changes that do not interfere with the designed function of the unit.

This warranty does not include failure of the product due to alteration, modifications, misuse, abuse, improper maintenance, improper installation or repair.

This warranty is not transferable and is only applicable to the original purchaser named on a completed and registered warranty record at JK-Products, Inc. headquarters.

JK Products, Inc. obligations do not include transportation charged on the shipping of new components to the customer or on the return of defective components of the manufacturer. All freight charges must be paid by the customer.

There are no warranties which extend beyond the description on the face hereof. There is no express or implied warranty of fitness or merchantability.

The remedies provided in this limited warranty are the exclusive remedies provided to the purchaser by Global Service USA and are provided in substitution of all other remedies. Consequential and incidental damages are excluded.



NOTE:

Any misuse, abuse, modification, alteration, improper maintenance, improper installation, etc. of this product or its intended use will subject said party to direct responsibility and liabilities for any and all consequences resulting from such action. Furthermore, such actions will void all warranties and may relieve Global Service USA of any liabilities relating to said product.

18 Index



A

Acrylic panel.....	66
Load.....	28
Air conditioning	
Filter	78
Air routing.....	16
Application tips	56

B

Bed base.....	69
---------------	----

C

Canopy panel	68
Cleaning.....	57, 61
Air conditioning	78
Filter	76, 77
Cleaning or replacing lamps	
Base.....	73
Canopy	74
Cleaning/disinfection	
Cleaning intervals.....	63
Commissioning.....	19
Condensation tank.....	78
Customer Service.....	2

D

Decommissioning.....	81
Definitions	7
Device description	13
Diagnose	84
Dimensions	30
Disinfection	57, 61
Disposal.....	81

E

Electrical specifications	28
EMC information.....	87
Export	12

F

Filter	
Cleaning	76, 77
Foreseeable misuse	39
Functions.....	48

G	
Guidelines.....	12
I	
Installation location	16
Intended use.....	33
L	
Lamp configuration	31
Lamps	
Cleaning / replacing	73
Side section	73
Control.....	31
Power rating.....	31
Lamps, Replacing.....	71
Low-pressure lamps	71
M	
Maintenance intervals	64
Maintenance overview.....	64
N	
Network	84
Noise level	28
O	
Obligations of the studio operator	39
Operating altitude	17
Operating display of the sensor	55
Order numbers	31, 32
P	
Packaging.....	81
Plastic surfaces (care)	62
Power rating.....	28
Professional Setup Manager.....	46
Prohibited usage.....	34
R	
Recycling	81





S

Safety measures during maintenance work	58
Scope of delivery.....	12
Setup location	17
Side section panel.....	68
Skin condition	33
Skin types	45
Spare parts	64
Order numbers.....	32
Staff training	39
Starter.....	31
Storage	81

T

Tanning times	45
Technical data.....	28
Transport.....	16
Troubleshooting.....	84

V

Ventilation	16
-------------------	----